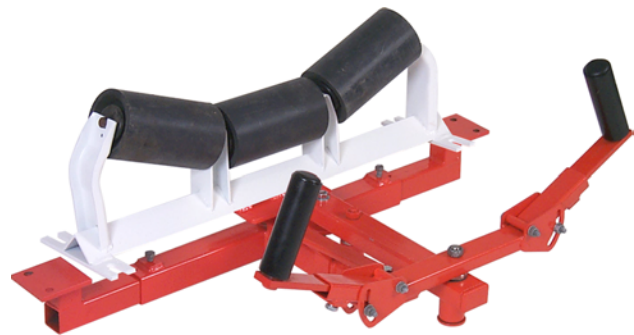


martin®

Martin®
Tracker™



Operator's Manual
M3625

Important

MARTIN ENGINEERING HEREBY DISCLAIMS ANY LIABILITY FOR: DAMAGE DUE TO CONTAMINATION OF THE MATERIAL; USER'S FAILURE TO INSPECT, MAINTAIN AND TAKE REASONABLE CARE OF THE EQUIPMENT; INJURIES OR DAMAGE RESULTING FROM USE OR APPLICATION OF THIS PRODUCT CONTRARY TO INSTRUCTIONS AND SPECIFICATIONS CONTAINED HEREIN. MARTIN ENGINEERING'S LIABILITY SHALL BE LIMITED TO REPAIR OR REPLACEMENT OF EQUIPMENT SHOWN TO BE DEFECTIVE.

Observe all safety rules given herein along with owner and Government standards and regulations. Know and understand lockout/tagout procedures as defined by American National Standards Institute (ANSI) z244.1-1982, *American National Standard for Personnel Protection - Lockout/Tagout of Energy Sources - Minimum Safety Requirements* and Occupational Safety and Health Administration (OSHA) Federal Register, Part IV, 29 CFR Part 1910, *Control of Hazardous Energy Source (Lockout/Tagout); Final Rule*.

The following symbols may be used in this manual:



Danger: Immediate hazards that will result in severe personal injury or death.



Warning: Hazards or unsafe practices that could result in personal injury.



Caution: Hazards or unsafe practices that could result in product or property damages.



Important: Instructions that must be followed to ensure proper installation/operation of equipment.



Note: General statements to assist the reader.

Table of Contents

Section	Page
List of Figures and Tables	ii
Introduction	1
General	1
References	1
Safety	1
Materials required	1
Before Installing Belt Tracking System	2
Installing Belt Tracking System	3
Installing Lower Unit	3
Installing Upper Unit	11
Installing Grease Kit (Optional)	18
After Installing Belt Tracking System	19
Part Numbers	21

List of Figures

Figure	Title	Page
1	Martin® Tracker™, P/N TKR-18LSXX	22
2	Martin® Tracker™, P/N TKR-XXLSXX	24
3	Martin® Tracker™ HD, P/N TKR-XXLHXX	26
4	Martin® Tracker™ XHD, P/N 37249-XXLM	28
5	Martin® Tracker™, P/N TKR-18USXX.	30
6	Martin® Tracker™, P/N TKR-XXUSXX.	32
7	Martin® Tracker™ HD, P/N TKR-XXUHXX	34
8	Martin® Tracker™ XHD, P/N 37249-XXUM	37
9	Martin® Tracker™ Low-Profile, P/N 38700-XXX.	39
10	Martin® Tracker™ XHD Low-Profile, P/N 37249-XXUMLP.	42
11	Conveyor Products Warning Label, P/N 23395	44
12	Pinch Point Warning Label, P/N 30528	44

List of Tables

Table	Title	Page
I	Part Numbers and Quantities for Martin® Tracker™ Upper Unit	25
II	Part Numbers and Quantities for Martin® Tracker™ HD Upper Unit.	27
III	Part Numbers and Quantities for Martin® Tracker™ XHD Upper Unit	29
IV	Part Numbers and Quantities for Martin® Tracker™ Lower Unit	33
V	Part Numbers and Quantities for Martin® Tracker™ HD Lower Unit	35
VI	Part Numbers and Quantities for Martin® Tracker™ XHD Lower Unit	38
VII	Part Numbers and Quantities for Martin® Tracker™ Low-Profile Unit	40
VIII	Part Numbers and Quantities for Martin® Tracker™ XHD Low-Profile Unit.	43

Introduction

General

The Martin® Tracker™ automatically senses and continuously corrects belt tracking. A light touch of the belt against the guide rollers creates precision correction. The patented tie rod aligner translates the action of the steering bars to the training idlers. The upper guide unit is used on the carrying side of the belt and the lower guide unit is used on the return side.

References

The following documents are referenced in this manual:

- American National Standards Institute (ANSI) z244.1-1982, *American National Standard for Personnel Protection - Lockout/Tagout of Energy Sources - Minimum Safety Requirements*, American National Standards Institute, Inc., 1430 Broadway, New York, NY 10018.
- Federal Register, Volume 54, Number 169, Part IV, 29 CFR Part 1910, *Control of Hazardous Energy Source (Lockout/Tagout); Final Rule*, Department of Labor, Occupational Safety and Health Administration (OSHA), 32nd Floor, Room 3244, 230 South Dearborn Street, Chicago, IL 60604.

Safety

All safety rules defined in the above documents and all owner/employer safety rules must be strictly followed when working on this equipment.

Materials required

Only standard hand tools are required to install and service this equipment.

Before Installing Belt Tracking System

IMPORTANT

The delivery service is responsible for damage occurring in transit. Martin Engineering CANNOT enter claims for damages. Contact your transportation agent for more information.

1. Inspect shipping container for damage. Report damage to delivery service immediately and fill out delivery service's claim form. Keep all damaged goods subject to examination.
2. Remove Martin® Tracker™ from shipping container. Equipment in container should include the following:
 - Martin® Tracker™ (upper or lower guide unit).
 - Two Conveyor Products Warning Labels, P/N 23395.
 - Two Pinch Point Warning Labels, P/N 30528.
 - *Martin® Tracker™* Operator's Manual, P/N M3625.
3. If anything is missing, contact Martin Engineering or a representative.
4. Make sure belt is centered on conveyor.



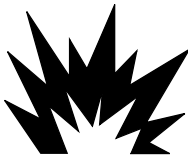
⚠ WARNING

Before installing equipment, turn off and lock out/tag out energy source to conveyor and conveyor accessories.

5. Turn off and lock out/tag out energy source according to ANSI standards (see "References").

⚠ WARNING

If equipment will be installed in an enclosed area, gas level or dust content must be tested before using a cutting torch or welding. Using a cutting torch or welding in an area with gas or dust may cause an explosion.

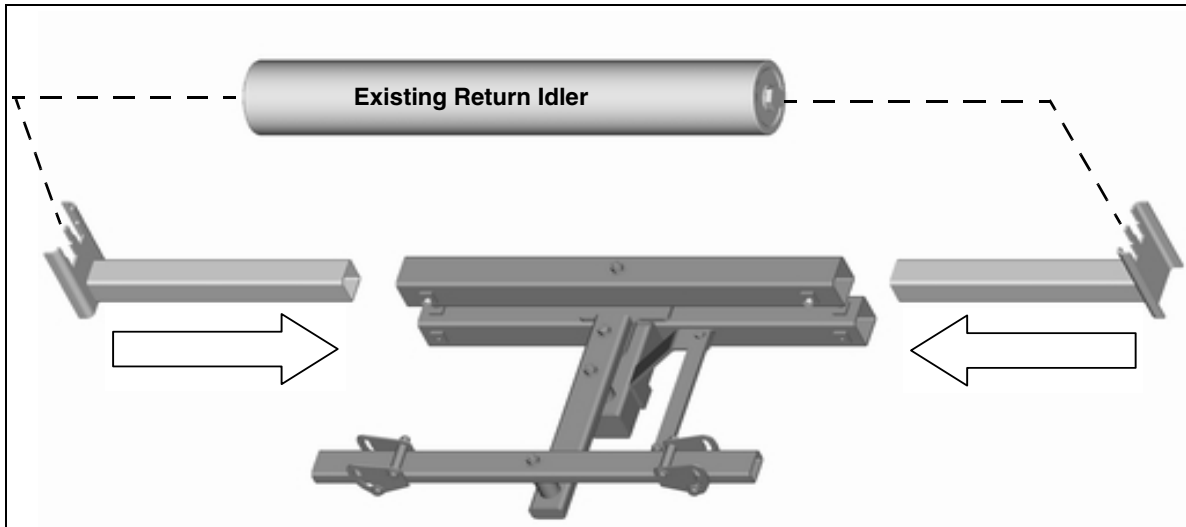


6. If using a cutting torch or welding, test atmosphere for gas level or dust content. Cover conveyor belt with fire retardant cover.

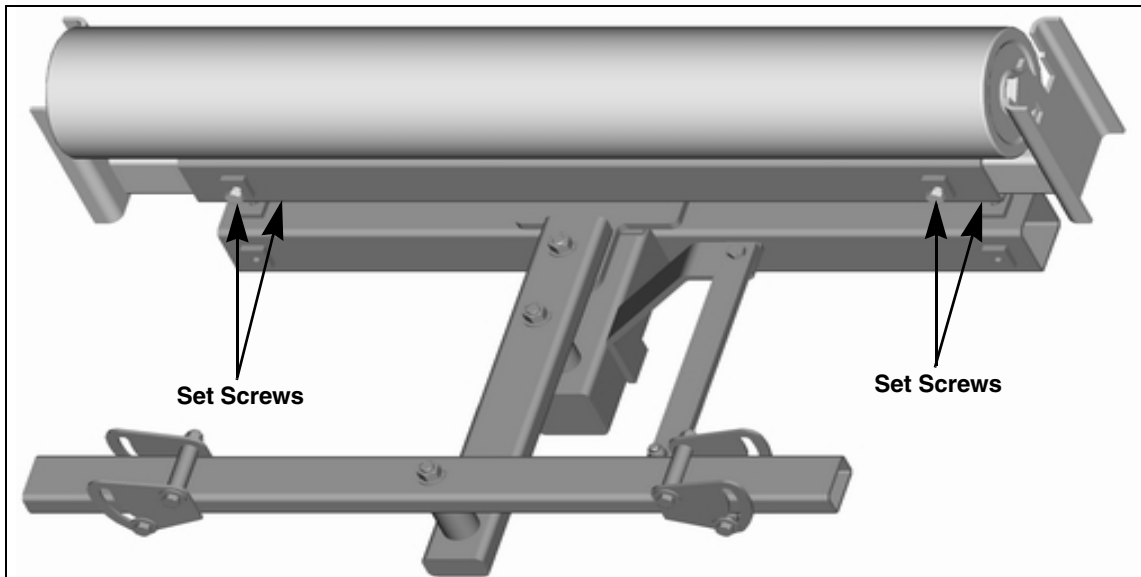
Installing Belt Tracking System

Installing Lower Unit

1. Locate Lower Guide Unit approximately three times the belt width before the point where belt adjustment is needed or before any major pulley. If installing multiple units, allow 70 to 150 ft (21 to 50 m) between units depending on the severity of mistracking.
2. Remove existing return idler and set aside for later use.

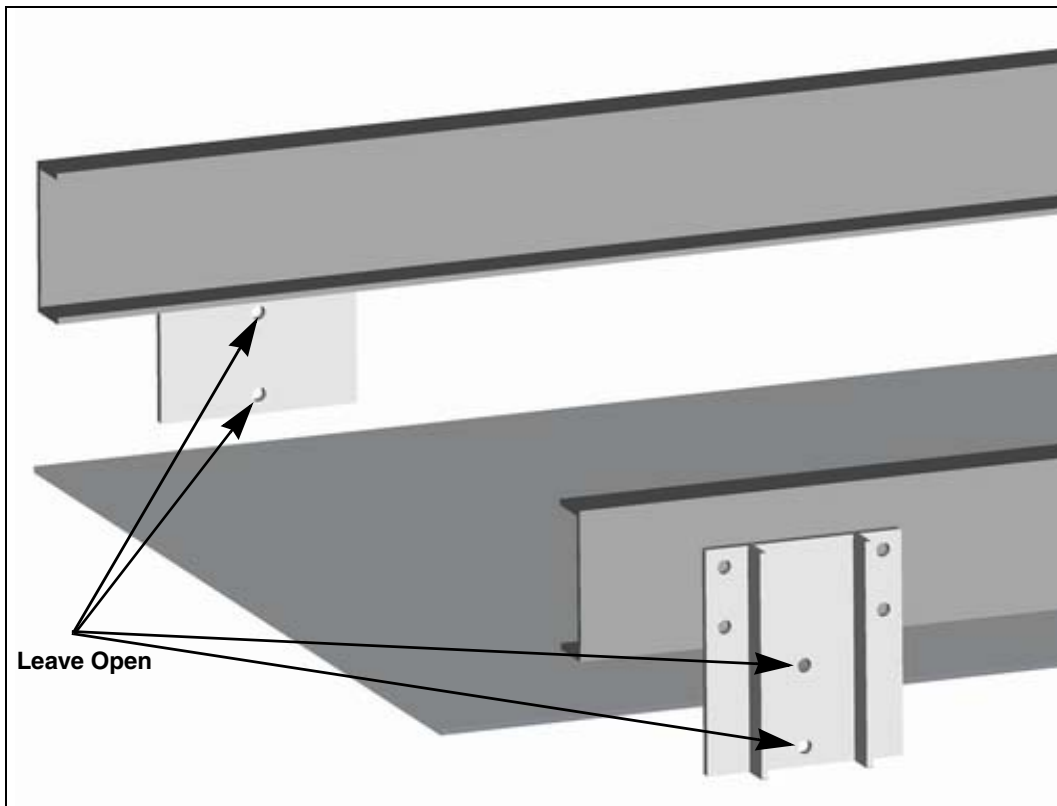
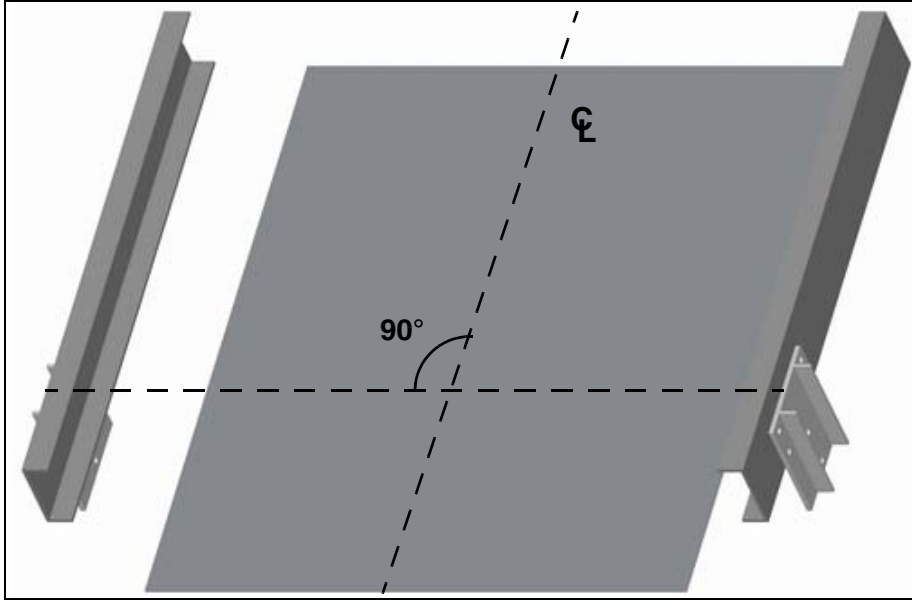


3. Assemble existing return idler roller into Martin® Tracker™ Lower Unit as shown.

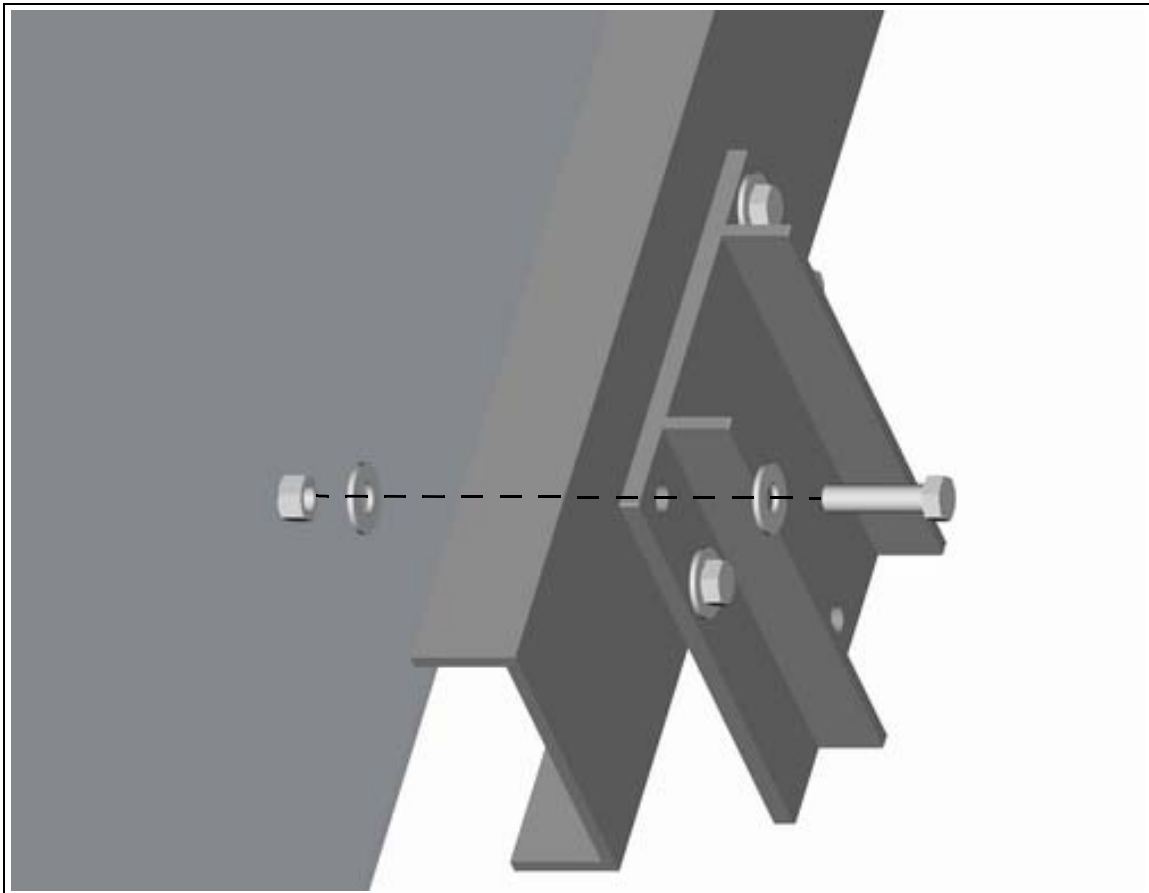


4. Center roller on Martin® Tracker™ and secure with four (4) set screws.

Installation

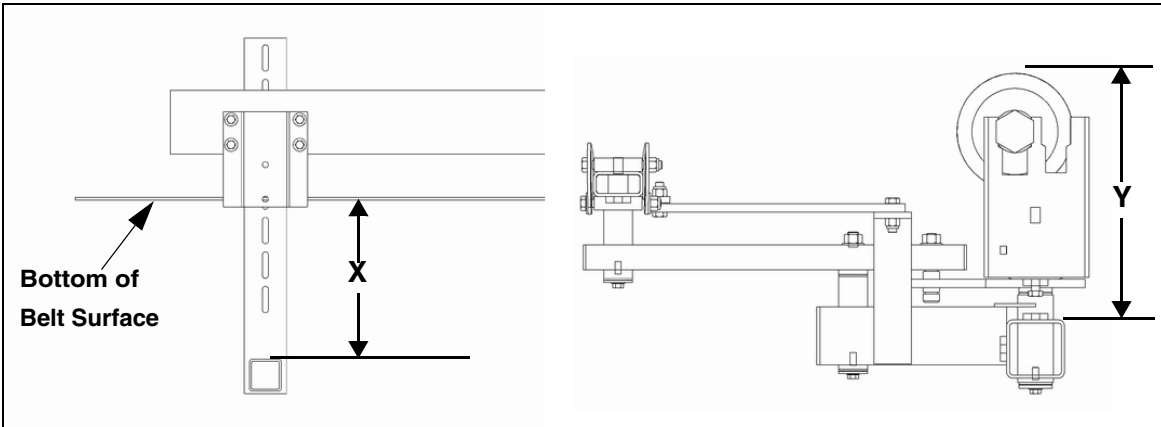
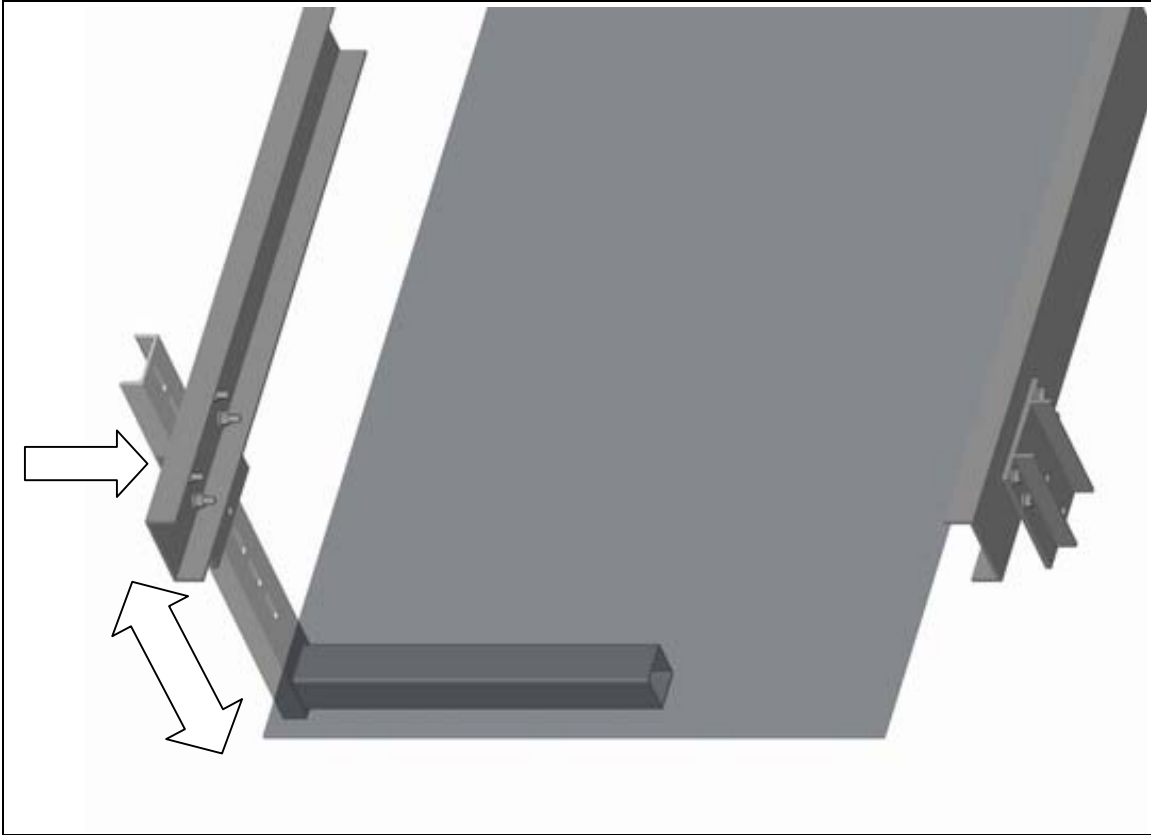


5. Mark holes for hanger brackets opposite of each other. Ensure that the bottom bolt holes are accessible from both sides for bolting.



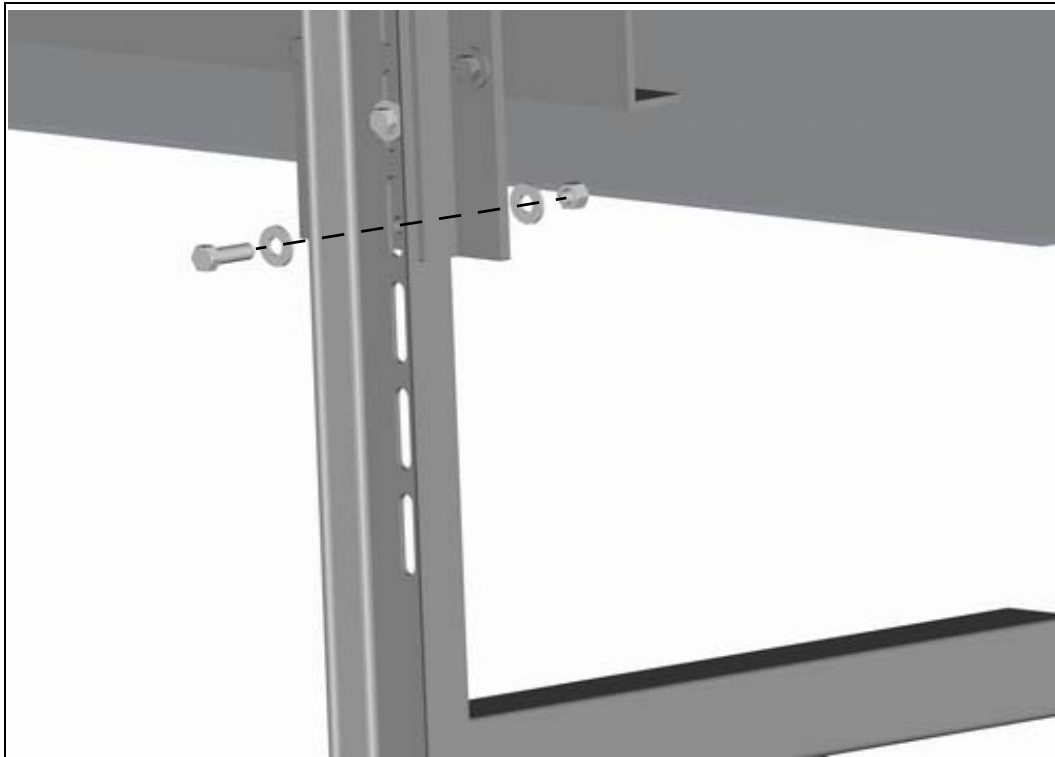
6. Drill or torch holes into stringer and secure hanger brackets with $\frac{1}{2}$ x $1\frac{1}{2}$ -inch bolts.

Installation

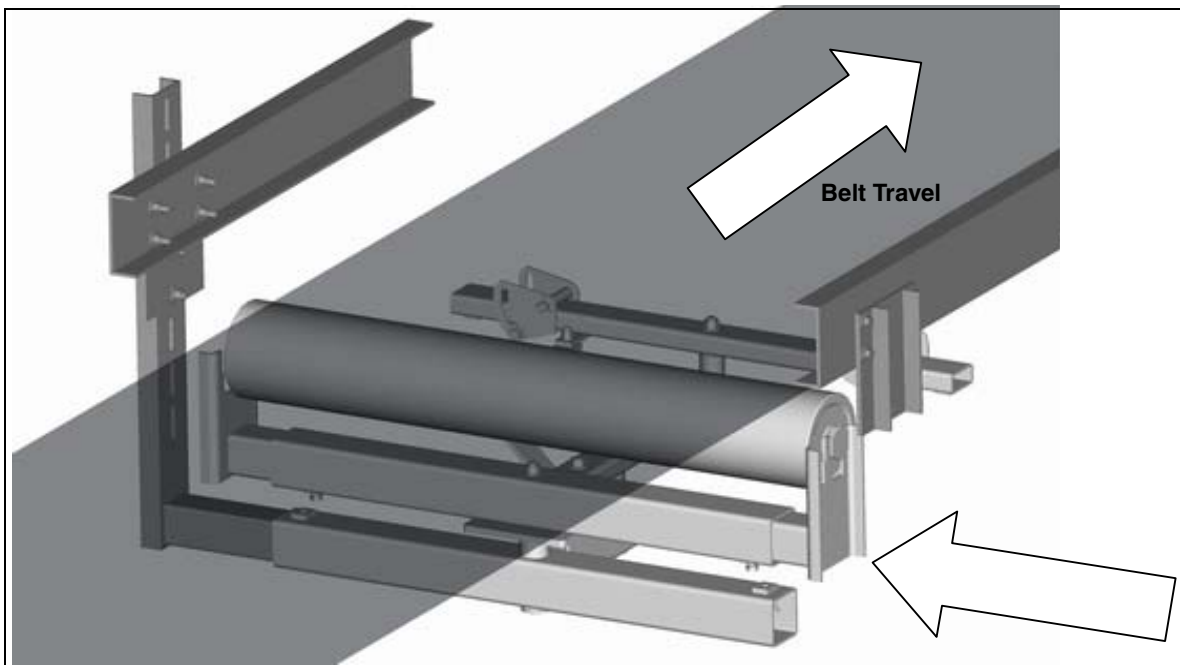


$$X=Y$$

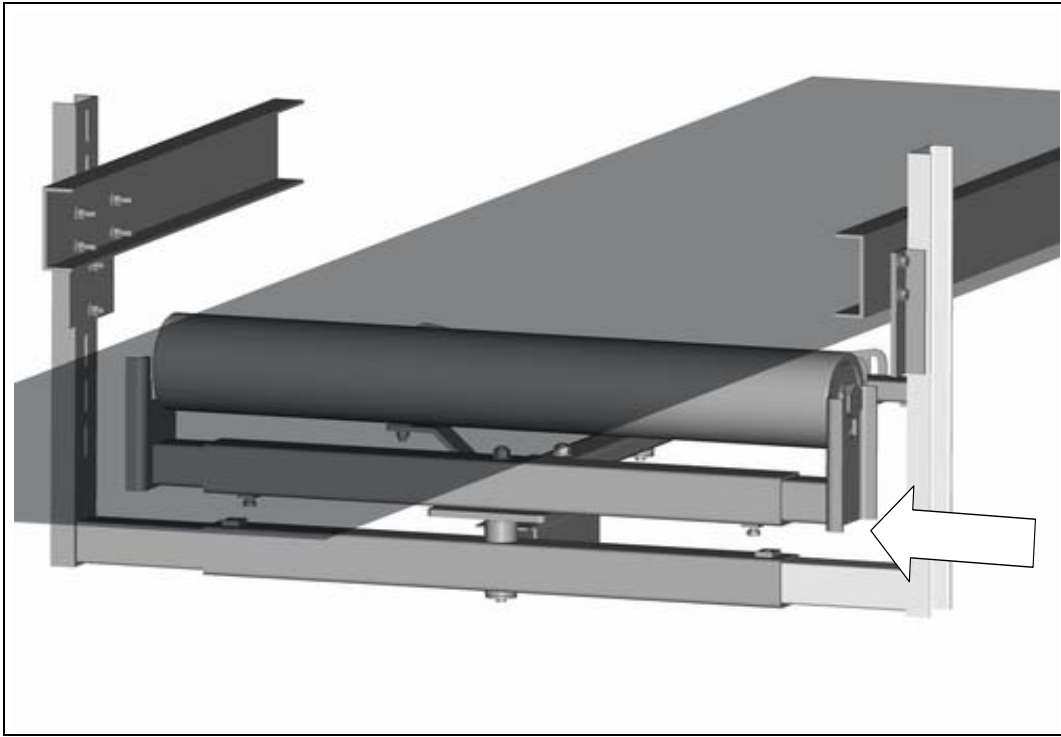
7. Position hanger tube on far side at elevation shown above.



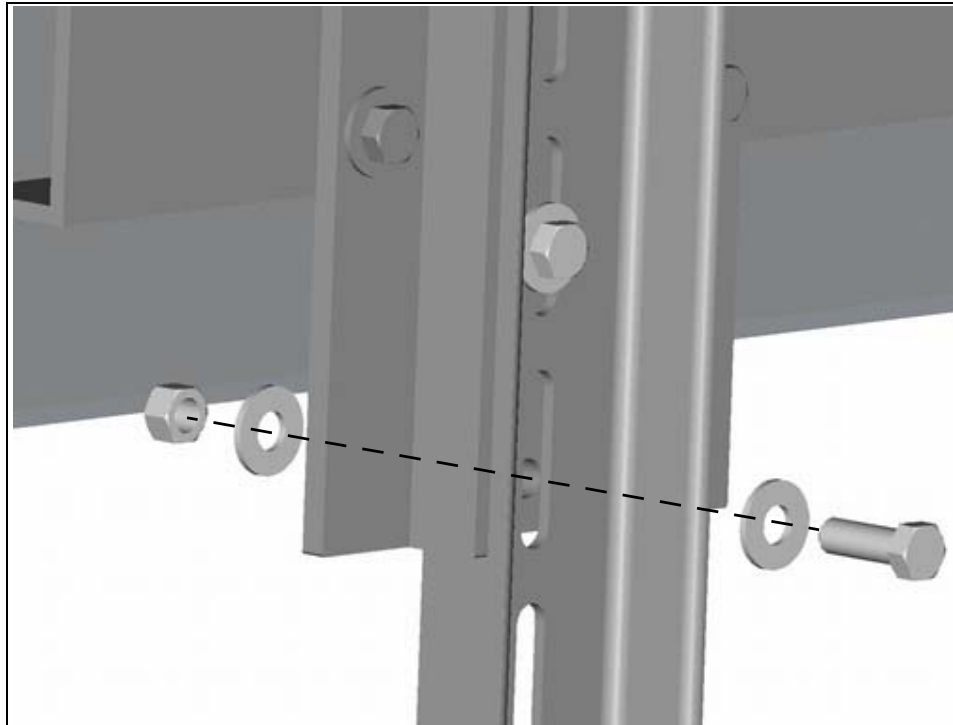
8. Secure hanger tube with $\frac{1}{2}$ x $1\frac{1}{2}$ -inch bolts.



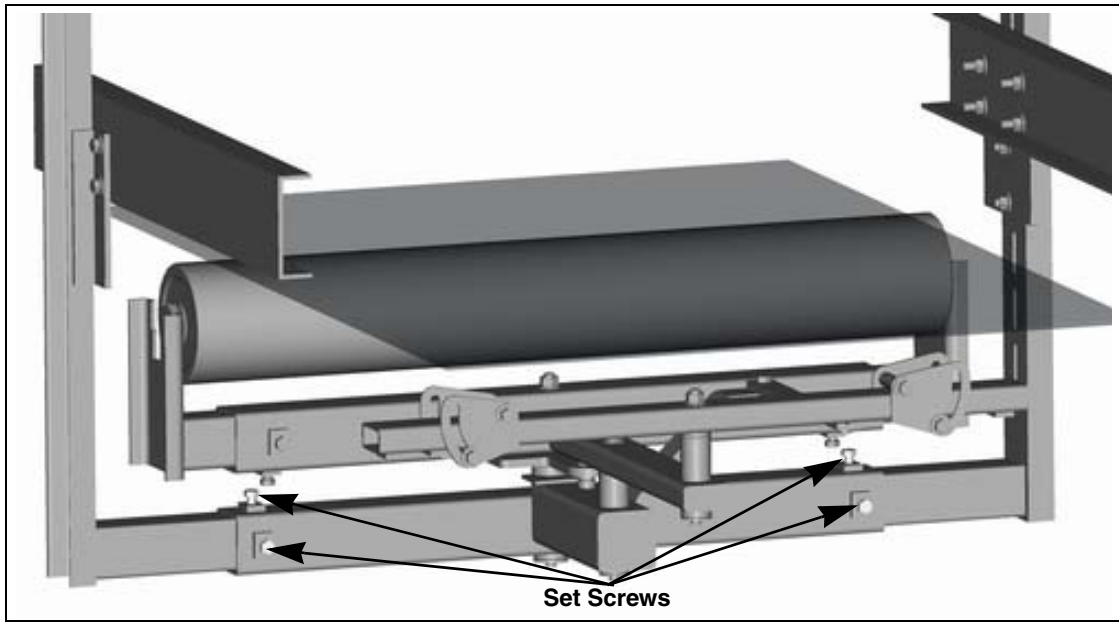
9. Slide assembled Martin[®] Tracker[™] Lower Unit onto hanger tube. (BELT DIRECTION IS CRITICAL.)



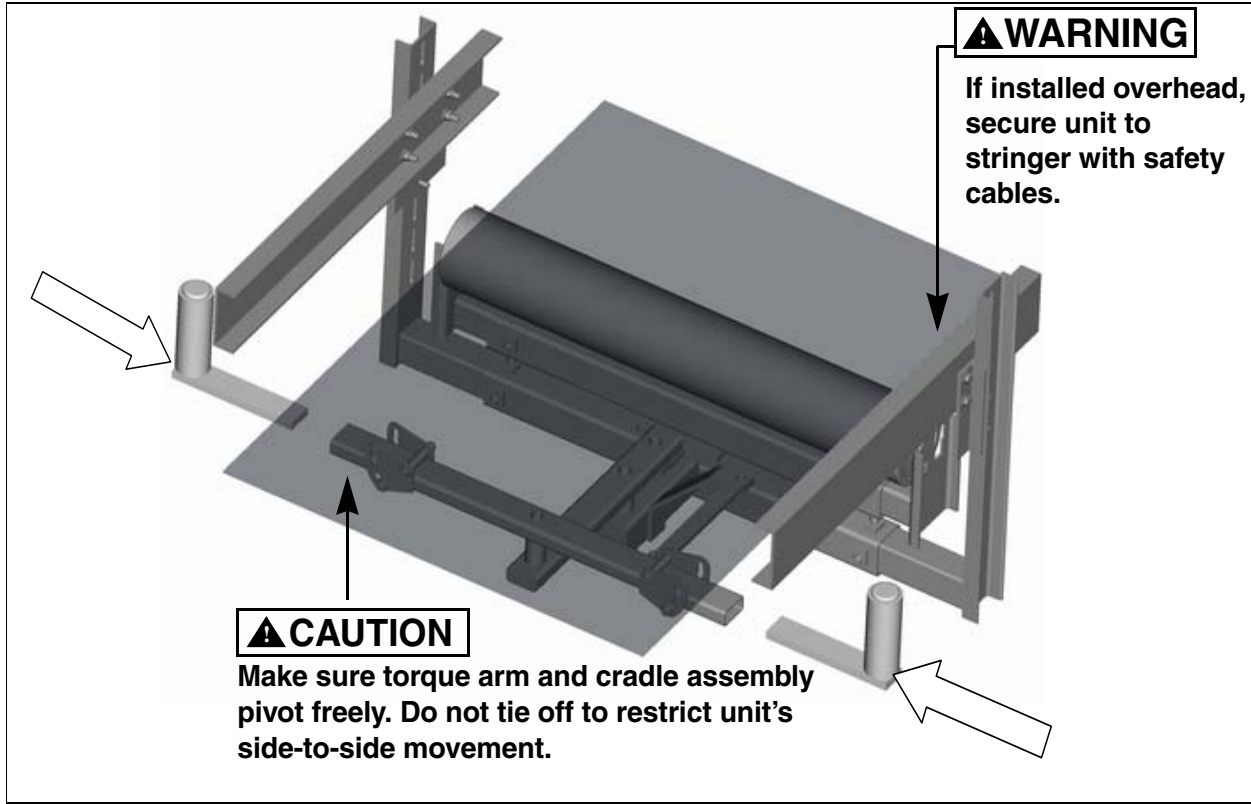
10. Position hanger tube on operator side.



11. Secure hanger tube with $\frac{1}{2}$ x $1\frac{1}{2}$ -inch bolts.

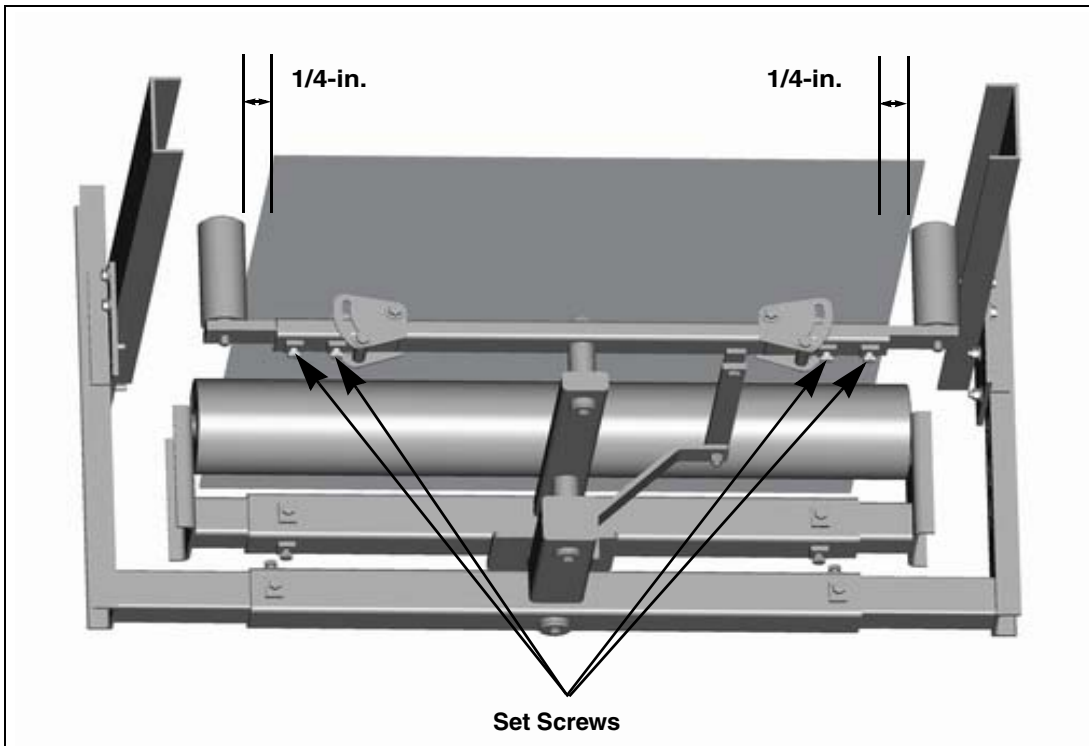


- 12. Center Martin® Tracker™ on stringer and tighten set screws shown above.
- 13. Raise entire assembly up into belt 1 inch and tighten all bolts.



⚠ WARNING
If installed overhead,
secure unit to
stringer with safety
cables.

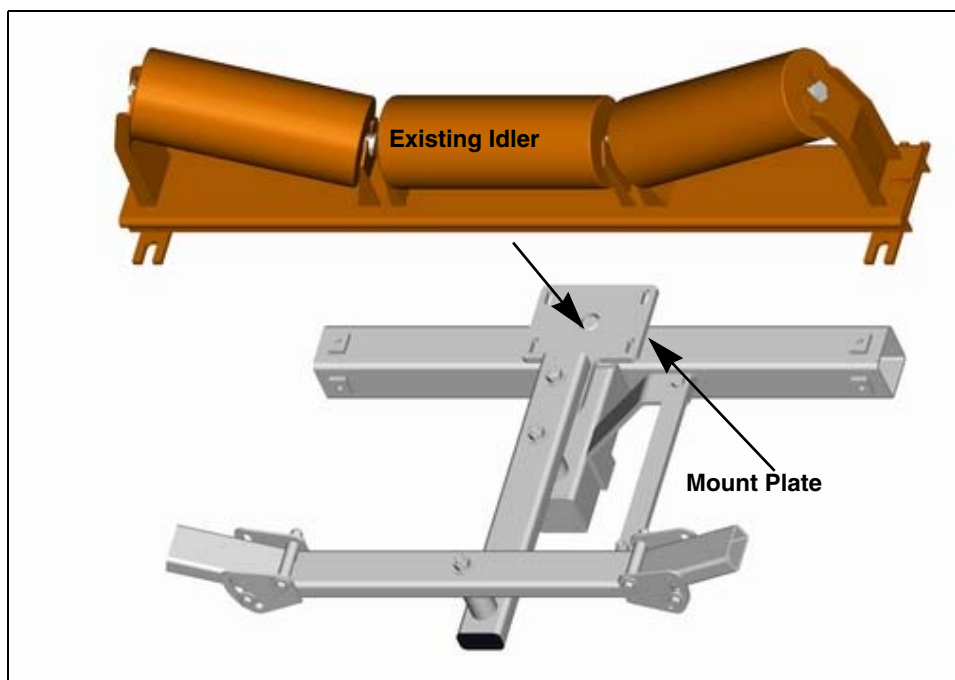
⚠ CAUTION
Make sure torque arm and cradle assembly
pivot freely. Do not tie off to restrict unit's
side-to-side movement.

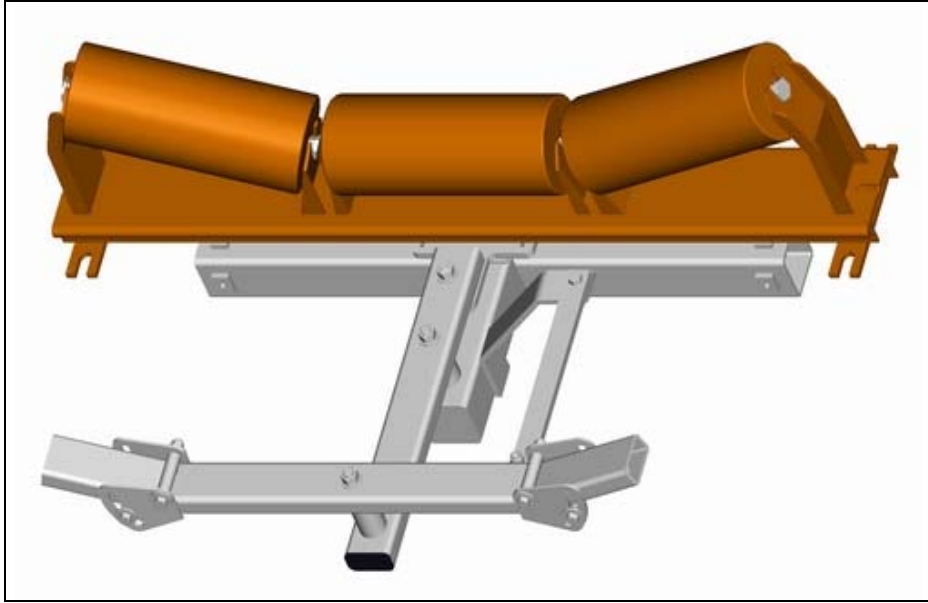


14. Insert sensing rolls.
15. Position sensing rolls ¼ inch from belt edge and secure with set screws.

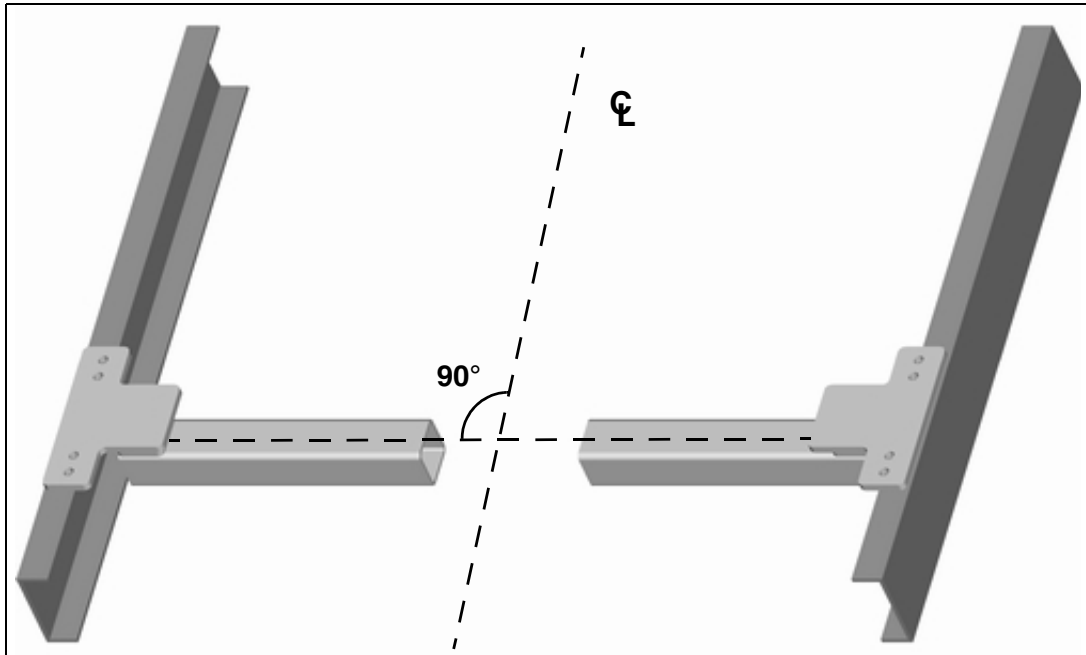
Installing Upper Unit

1. Locate Upper Guide Unit beyond the loading point or three to four times belt width before point where belt needs adjustment. If installing multiple units, allow 70 to 150 ft (21 to 50 m) between units depending on the severity of mistracking.
2. Remove belt (if possible) to provide work room.
3. Remove troughing idler and set aside for later use.



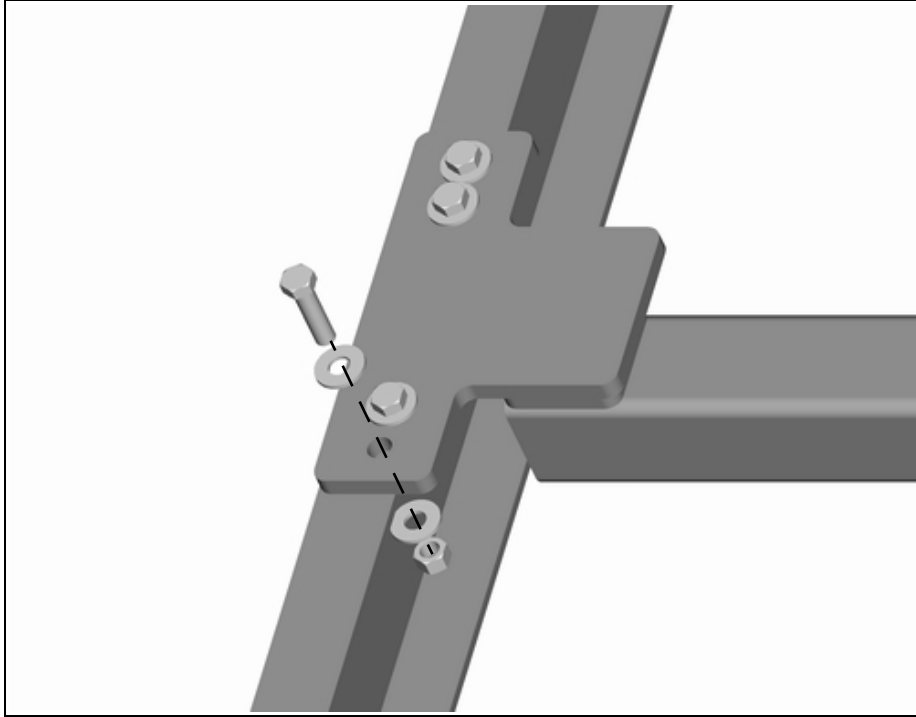


4. Bolt or weld existing troughing idler onto Martin® Tracker™ Upper Unit as shown.

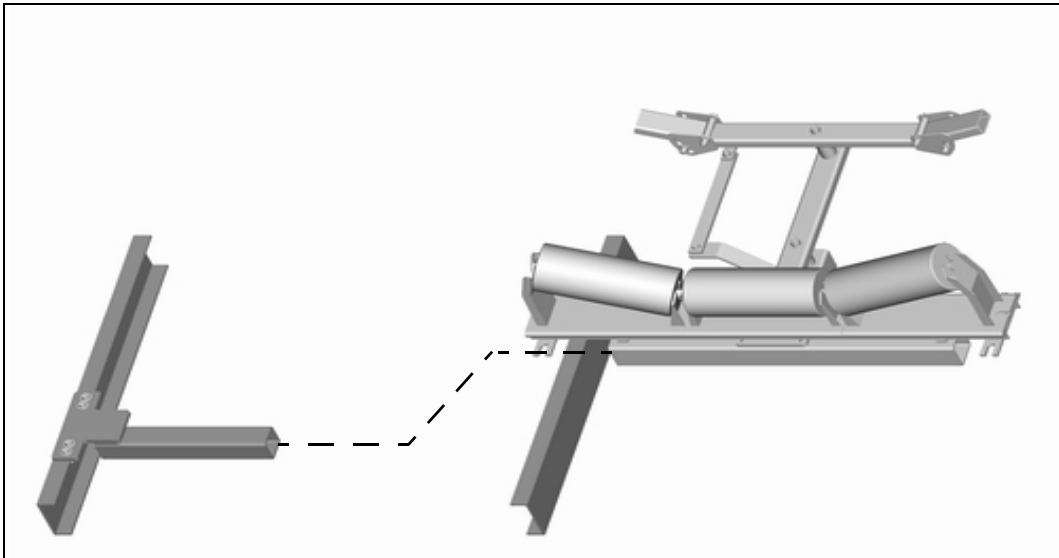


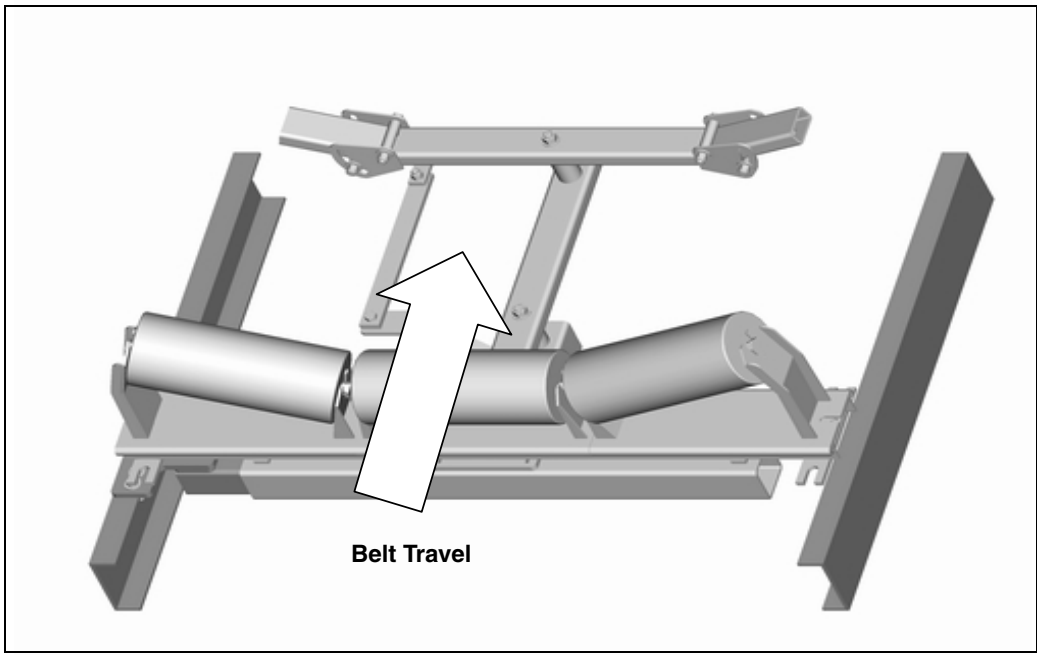
- 5. Position support arms opposite each other on stringer and mark hole locations.
- 6. Drill or torch holes.

Installation



7. Attach support arm to far side stringer with $\frac{1}{2}$ x $1\frac{1}{2}$ -inch bolts, but **DO NOT TIGHTEN**.

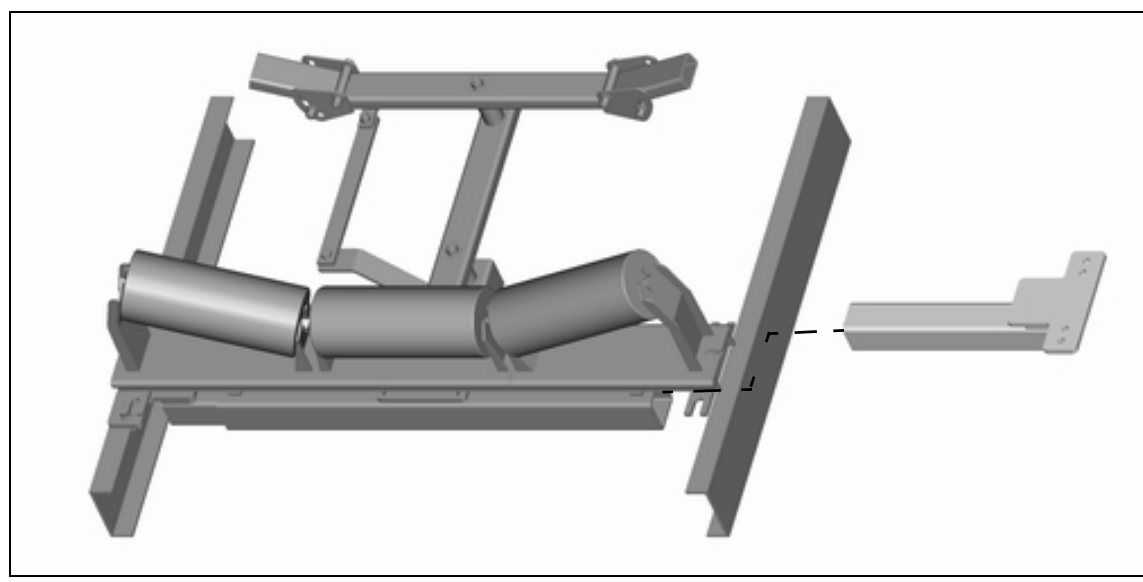


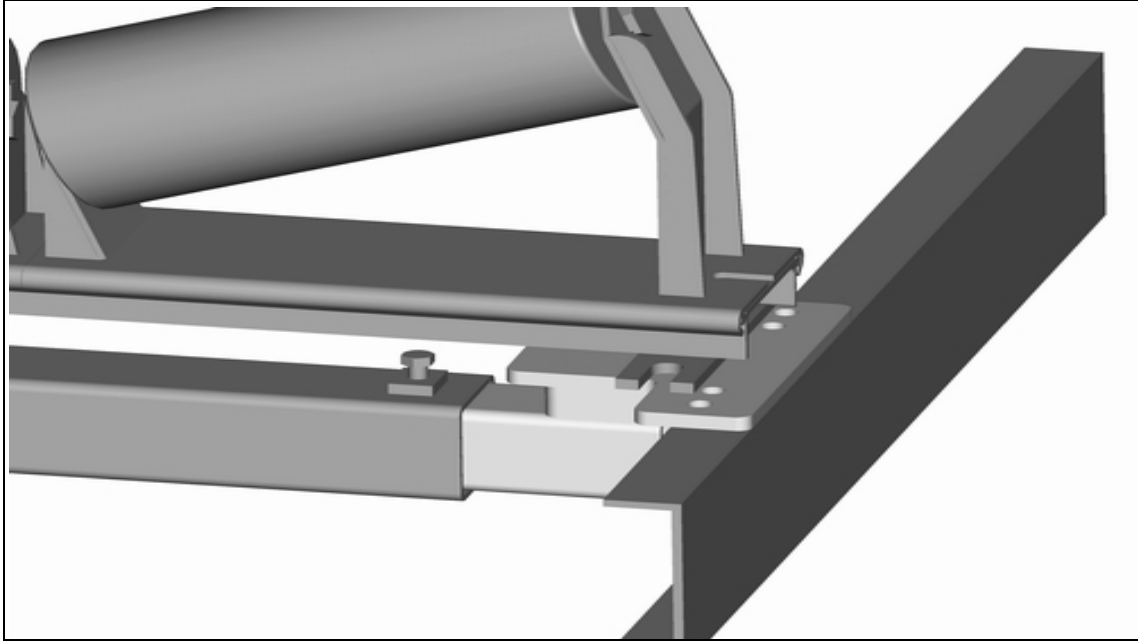


- 8. Slide assembled Martin® Tracker™ Upper Unit onto support arm tube. (BELT DIRECTION IS CRITICAL.)

NOTE

Use play in support arm bolts to maneuver around stringer if necessary.

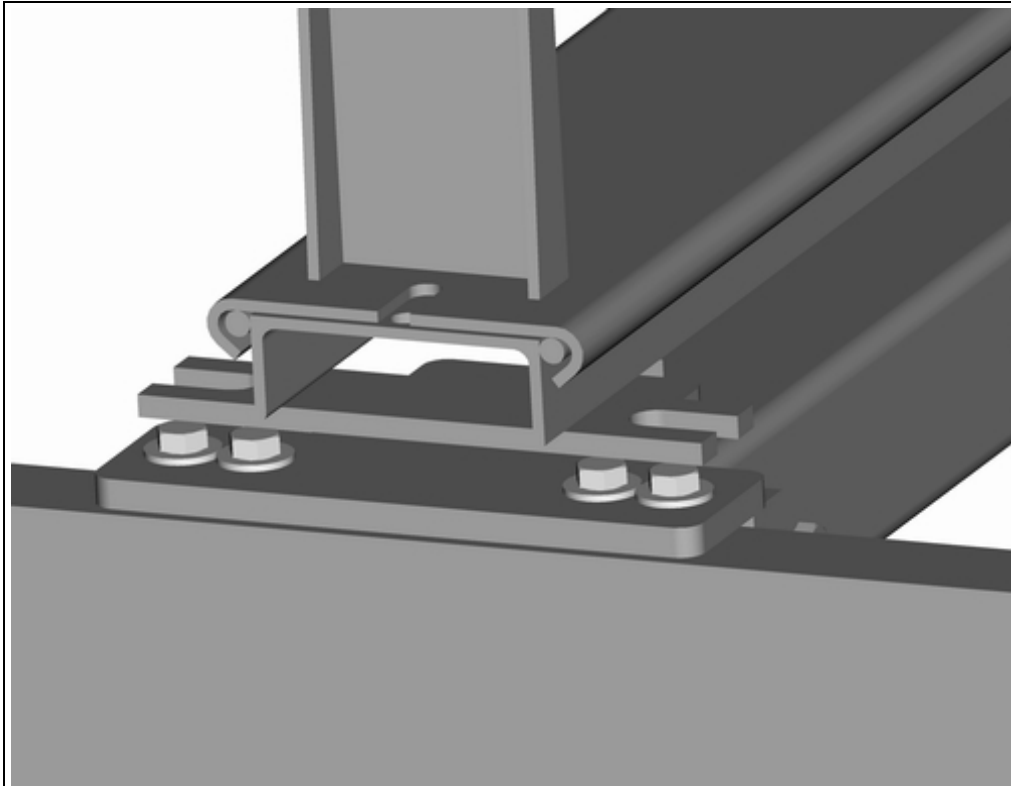




9. Position support arm on operator side stringer and mark hole locations.

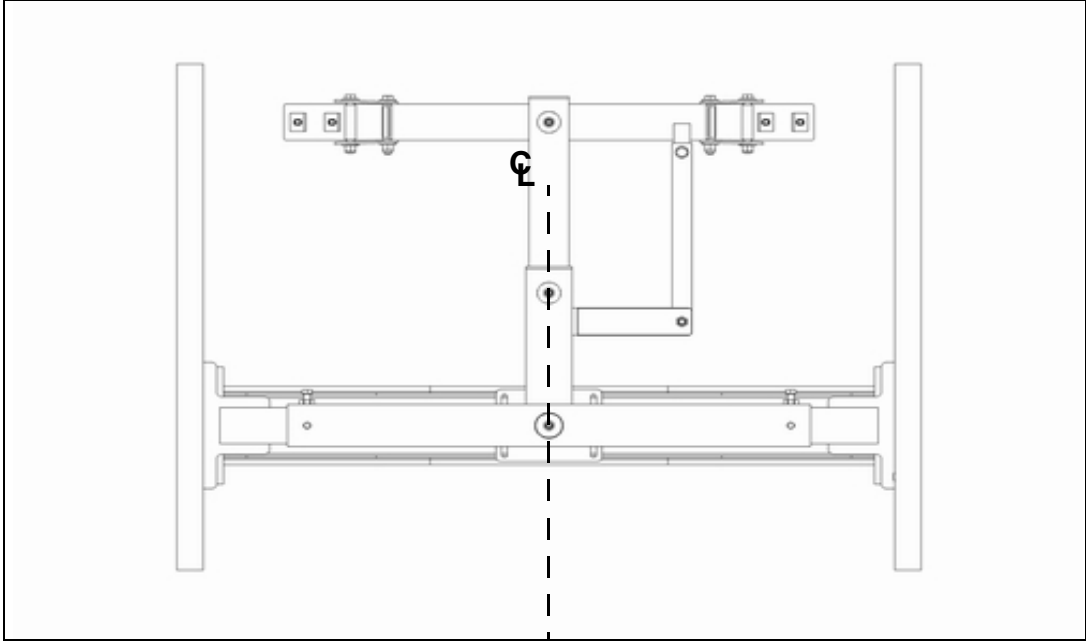
NOTE

Use play in support arm bolts to maneuver around stringer if necessary.

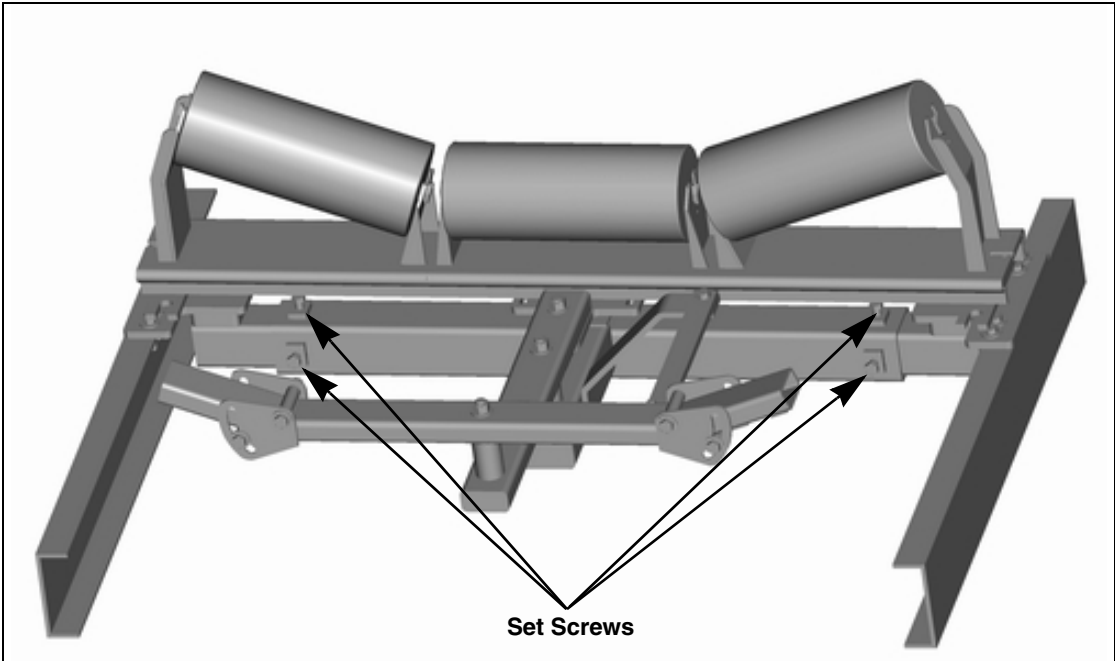


10. Attach support arm with $\frac{1}{2}$ x $1\frac{1}{2}$ -inch bolts.

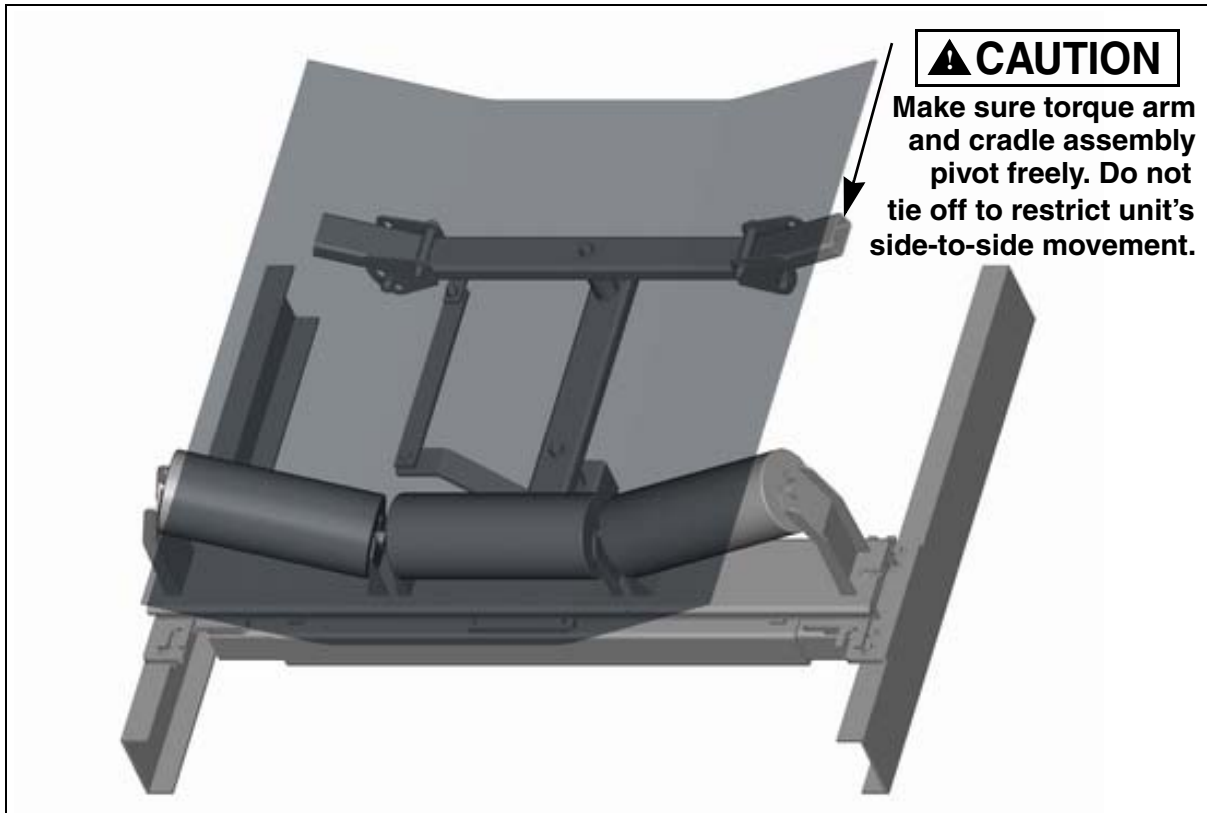
11. Tighten bolts on both stringers.



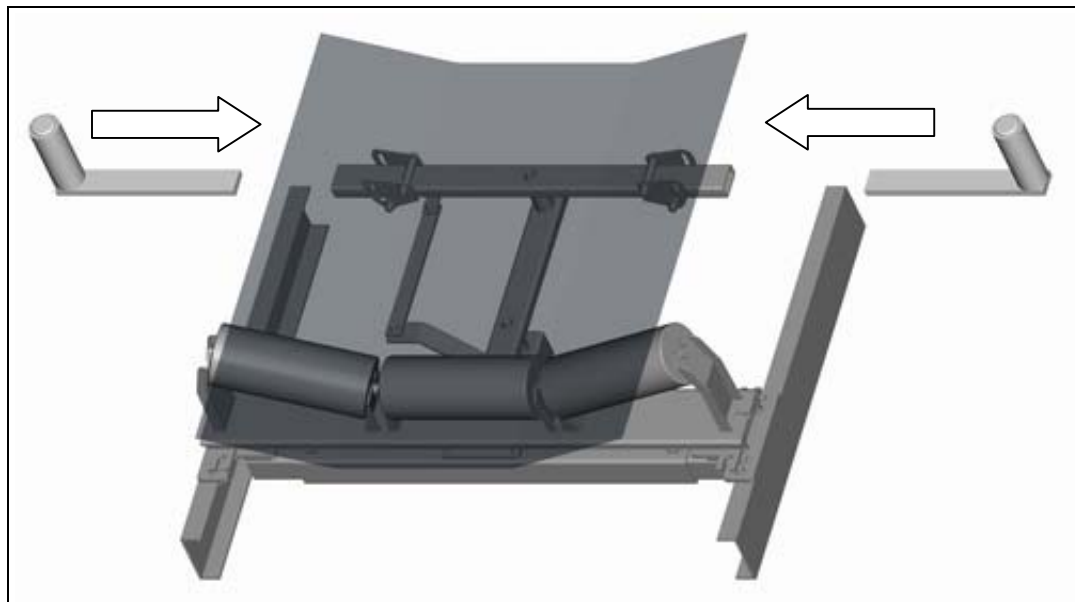
12. Center Martin® Tracker™ on stringer.



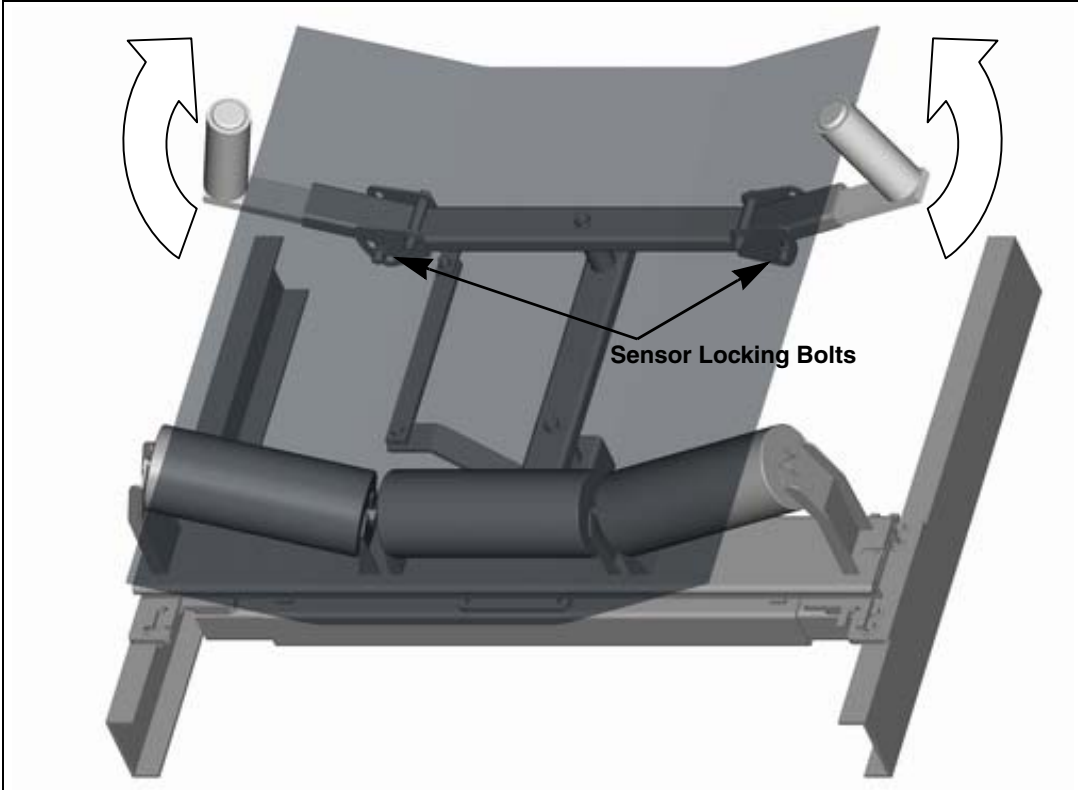
13. Tighten set screws shown above.



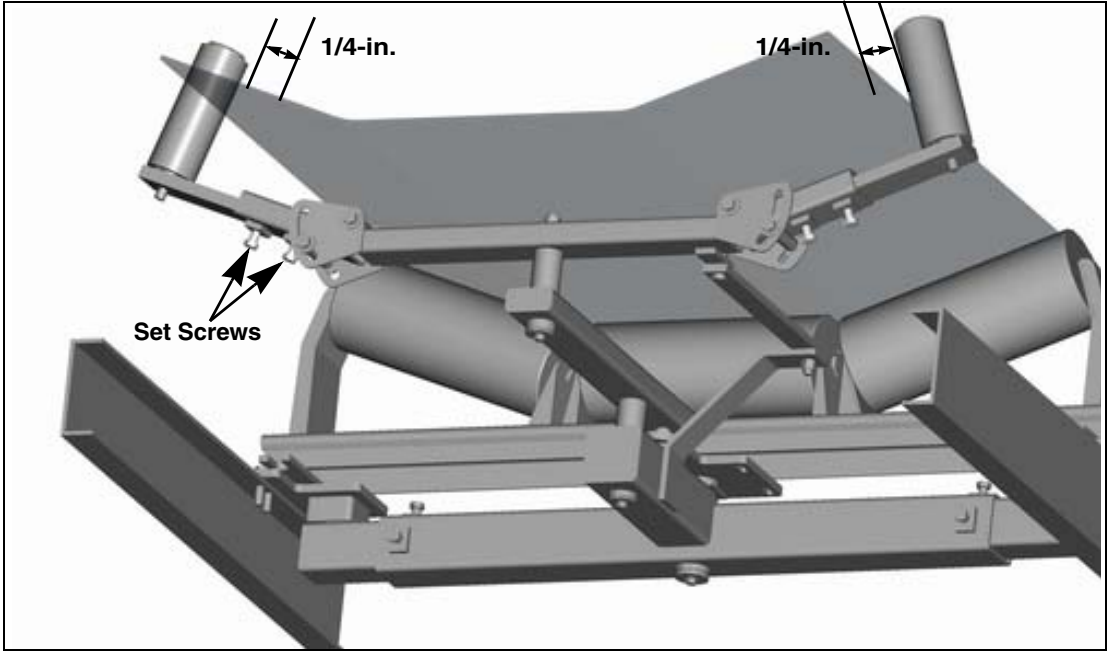
14. Lower belt back onto troughing idler.



15. Insert sensing rolls.

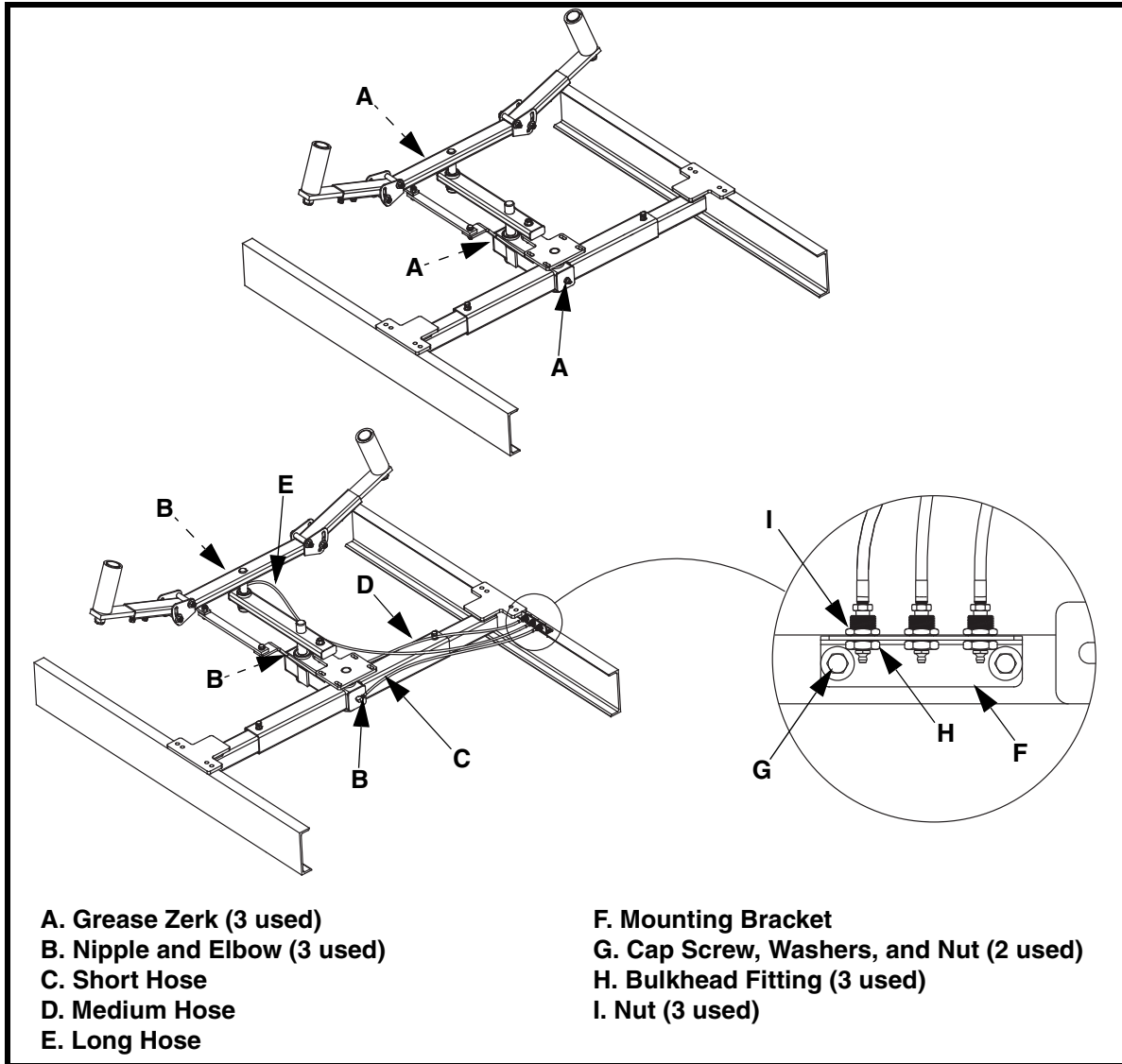


16. Raise sensing roll arms to match belt profile and lock into position by tightening bolts.



17. Position sensing rolls 1/4 inch from belt edge and secure with set screws shown above.

Installing Grease Kit (Optional)



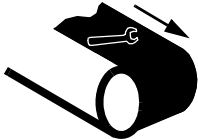
1. Remove the existing grease zerks (A) and replace with nipples and elbows (B).
2. Install hoses (C, D and E) into elbows and route hoses along Martin® Tracker™ frame to operator side of conveyor.
3. Attach hoses to Martin® Tracker™ frame with nylon ties. Make sure hoses will not be stretched or pinched as Martin® Tracker™ moves.
4. Determine location for mounting bracket (F). Grease ports should be easy to access.
5. Locate and drill holes for mounting bracket (F). Attach bracket to structure using cap screws, washers, and nuts (G).
6. Install bulkhead fittings (H) onto bracket, but do not tighten nuts (I).
7. Install hoses into bulkhead fittings.
8. Tighten bulkhead nuts (I).
9. Apply multi-purpose lithium grease to each hose until it is full.
10. Apply 2 pumps of grease at startup and 1 pump each month during maintenance inspection.

After Installing Belt Tracking System

IMPORTANT

Read entire section before beginning work.

1. Thoroughly wipe chute or stringers clean above Martin® Tracker™ on both sides of belt. Place Martin® Conveyor Products Warning Labels (P/N 23395) on chute or stringers visible to Martin® Tracker™ operator.



WARNING

Failure to remove tools from installation area and conveyor belt before turning on energy source can cause serious injury to personnel and damage to belt.

2. Remove all tools and fire retardant cover from installation area and conveyor belt.

DANGER

Do not touch or go near conveyor belt or conveyor accessories when conveyor belt is running. Body or clothing can get caught and pull body into conveyor belt, causing severe injury or death.



3. Turn on conveyor belt and observe belt tracking.

WARNING

Before adjusting Martin® Tracker™, turn off and lock out/tag out energy source to conveyor and conveyor accessories.



4. Allow belt to run through at least ten revolutions. Then turn off and lock out/tag out energy source according to ANSI standards (see “References”).
5. Make sure all fasteners are tight. Tighten if necessary.
6. If necessary, adjust Martin® Tracker™ cross section to fine tune belt tracking.
 - a. Loosen set screws securing telescoping tubes.
 - b. Slide cross section in the direction belt needs to move.
 - c. Retighten set screws.

Notes

Part Numbers

This section provides part numbers for the Martin® Tracker™ Systems. Please reference part numbers when ordering parts.

Martin® Tracker™ Assemblies

Martin® Tracker™ Upper Unit Assemblies: 18 to 54 in. (450 to 1400-mm) belts: P/N TKR-XXUSXX.

Martin® Tracker™ HD Upper Unit Assemblies: 36 to 72-in. (800 to 1800-mm) belts: P/N TKR-XXUHXX.

Martin® Tracker™ XHD Upper Unit Assemblies: 48 to 96-in. (1200 to 2400-mm) belts: P/N 37249-XXUM.

Martin® Tracker™ Lower Unit Assemblies: 18 to 54 in. (450 to 1400-mm) belts: P/N TKR-XXLSXX.

Martin® Tracker™ HD Lower Unit Assemblies: 36 to 72-in. (800 to 1800-mm) belts: P/N TKR-XXLHXX.

Martin® Tracker™ XHD Lower Unit Assemblies: 48 to 108-in. (1200 to 2700-mm) belts: P/N 37249-XXLM.

Martin® Tracker™ Low-Profile Unit Assemblies: 36 to 60-in. (800 to 1600-mm) belts: P/N 38700-XXX.

Martin® Tracker™ XHD Low Profile Upper Unit Assemblies:
P/N 37249-XXUMLP

Martin® Return Roll

Rubber Lagged Return Roll: P/N TRLRLXX-XX
(First X indicates CEMA classification; second X indicates roll diameter; last XX indicates belt width.)

Martin® Guide Roll Repair Kits

For all 37249-XXXX units: P/N 35205-XX. (Includes Arm, Bearings, and Roller)

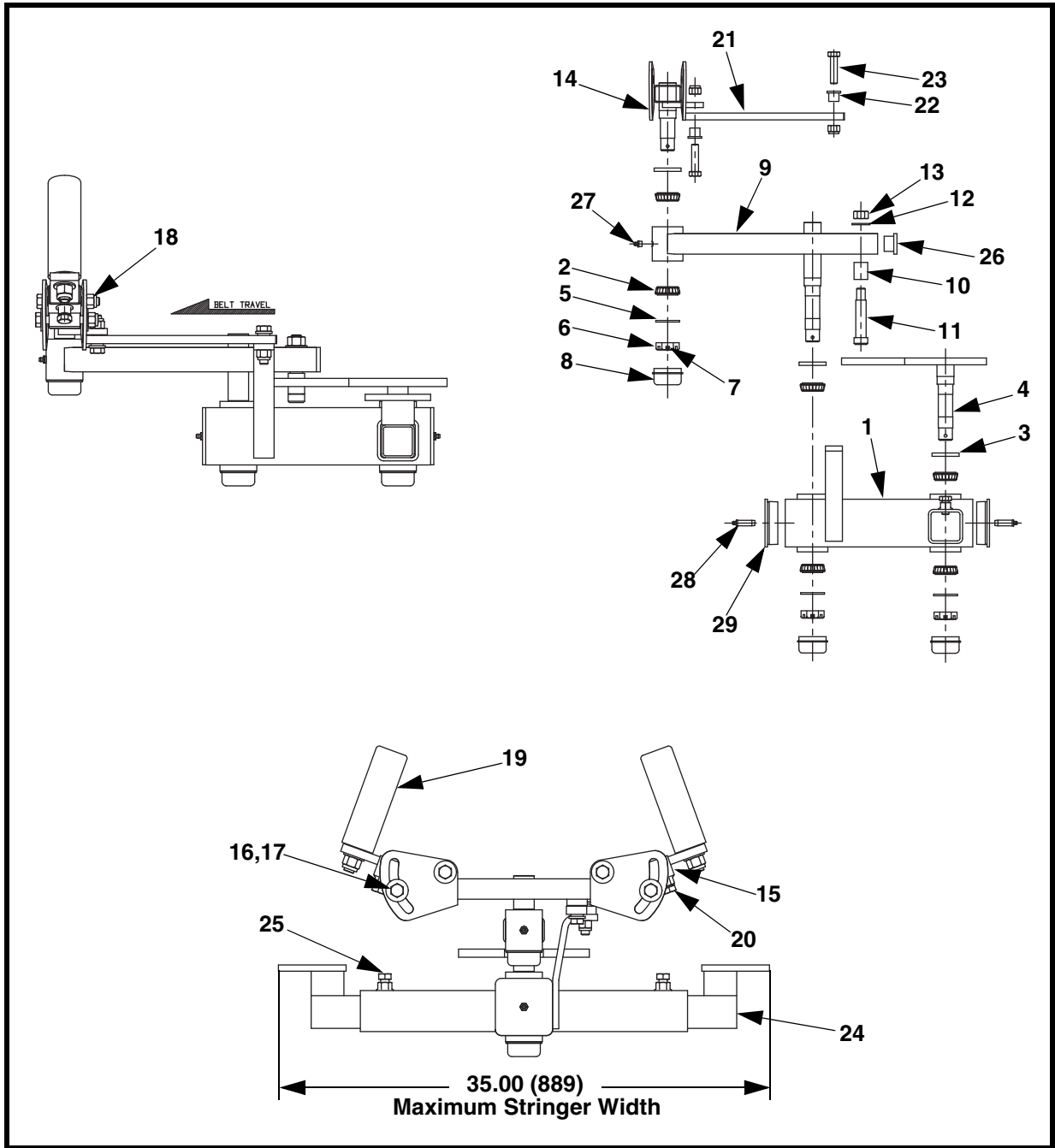


Figure 1. Martin® Tracker™, P/N TKR-18USXX* (Sheet 1 of 2)

*18 indicates belt width in inches; third X indicates Tracker type: U = upper Tracker, L = lower Tracker; fourth X indicates duty rating: S = standard-duty, H = heavy-duty; fifth X indicates roll options: R = with roll (lower Trackers only), Blank = without roll; last X indicates grease options: G = with grease kit, Blank = without grease kit.

Item	Description	Part No.	Qty	Item	Description	Part No.	Qty
1	T-Body Weldment	38504-01	1	18	Nut Hex Elastic Lock 1/2-13NC ZP	18577	6
2	Bearing Tapered Roller	38505-01	6	19	Guide Roll Arm Assembly	35205-05	2
3	Seal	38516-S	3	20	Screw HHC 1/2-13NC x 1-1/4 ZP	13835	2
4	Pivot Plate Weldment	38522-S	1	21	Parallel Stay	37415-01	1
5	Washer	38513	3	22	Sleeve Bearing	38423	2
6	Nut	38514	3	23	Screw HHC 1/2-13NC x 2 ZP	14196	2
7	Pin Cotter 1/8 x 1-3/4 ZP	14210	3	24	Support Arm Weldment	37413-501	2
8	Dust Cap	38515-S	3	25	Screw HHC 1/2-13NC x 1 ZP	13842	2
9	Torque Arm Tube Weldment	38510-S	1	26	Plug for 2-1/2 x 1-1/2 Tube	34714	1
10	Torque Arm Bushing	37268	1	27	Fitting Grease 1/8-27 NPT	11814	1
11	Screw SOC HD 3/4 x 2-3/4	37267	1	28	Extended Fitting Grease 1/8-27 NPT	38517	2
12	Washer Compression 5/8	11752	1	29	Plug for 3.50 Square Tube	37301-2	2
13	Nut Hex 5/8-11NC ZP	11772	1	30*	Label Kit	34772	1
14	Cradle Weldment	38512-02	1	31*	Mounting Hardware Kit	35283	1
15	Cradle Wing Tube Weldment	37458-01	2	32*	Tracker Remote Grease Kit	38550-1	1
16	Washer Flat 1/2 Wide ZP	17328	8	33*	Manual Operator's	M3625	1
17	Screw HHC 1/2-13NC x 3-1/2 ZP	M921	4				

*Not Shown

Figure 1. Martin[®] Tracker[™], P/N TKR-18LSXX* (Sheet 2 of 2)

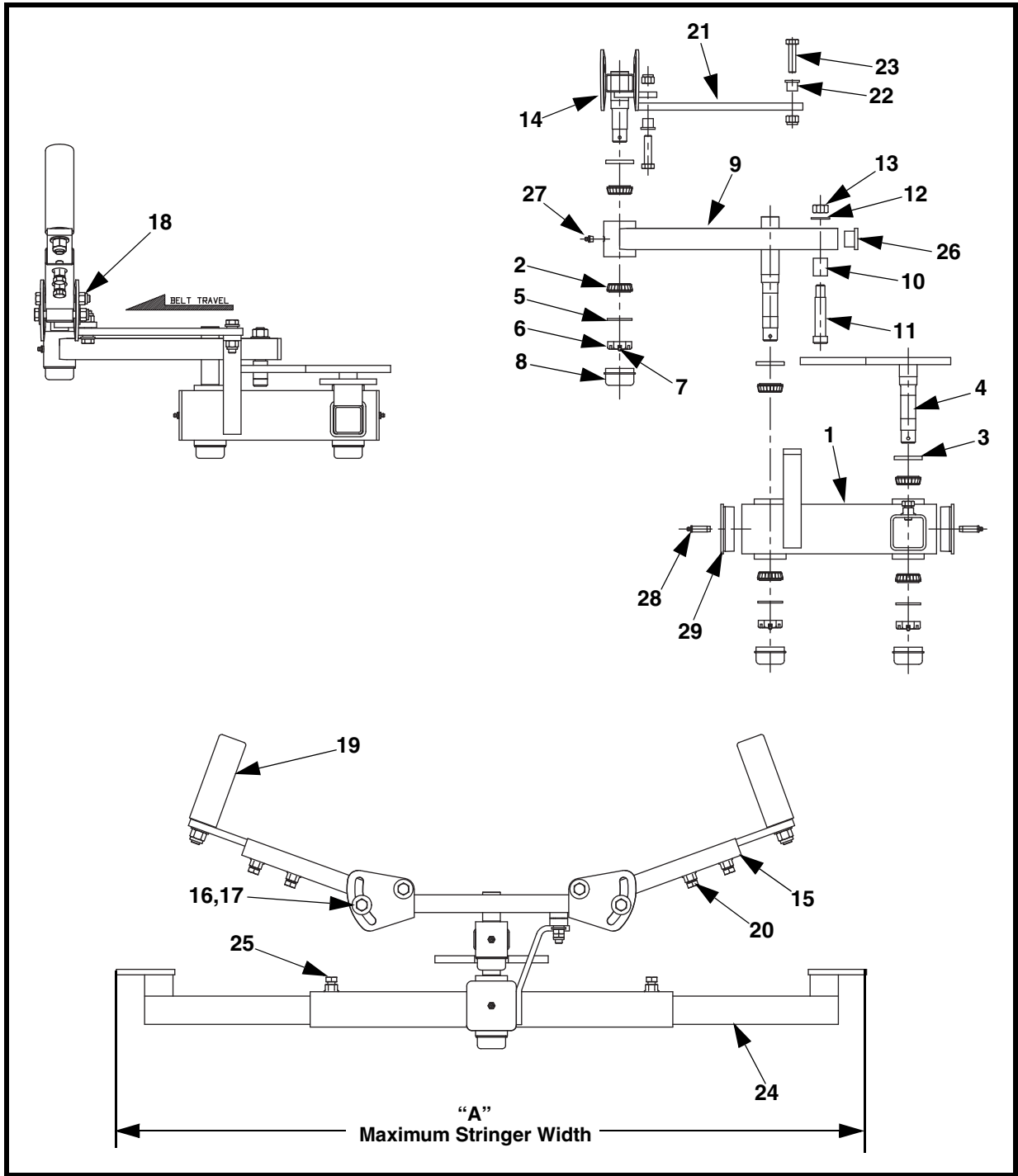


Figure 2. Martin® Tracker™, P/N TKR-XXUSXX* (Sheet 1 of 2)

*First XX indicates belt width in inches; third X indicates Tracker type: U = upper Tracker, L = lower Tracker; fourth X indicates duty rating: S = standard-duty, H = heavy-duty; fifth X indicates roll options: R = with roll (lower Trackers only), Blank = without roll; last X indicates grease options: G = with grease kit, Blank = without grease kit.

Item	Description	Part No.	Qty	Item	Description	Part No.	Qty
1	T-Body Weldment	38504-02	1	18	Nut Hex Elastic Lock 1/2-13NC ZP	18577	6
2	Bearing Tapered Roller	38505-01	6	19	Guide Roll Arm Assembly	Table I	2
3	Seal	38516-S	3	20	Screw HHC 1/2-13NC x 1-1/4 ZP	13835	Tbl I
4	Pivot Plate Weldment	38522-S	1	21	Parallel Stay	37415-01	1
5	Washer	38513	3	22	Sleeve Bearing	38423	2
6	Nut	38514	3	23	Screw HHC 1/2-13NC x 2 ZP	14196	2
7	Pin Cotter 1/8 x 1-3/4 ZP	14210	3	24	Support Arm Weldment	Table I	2
8	Dust Cap	38515-S	3	25	Screw HHC 1/2-13NC x 1 ZP	13842	2
9	Torque Arm Tube Weldment	38510-S	1	26	Plug for 2-1/2 x 1-1/2 Tube	34714	1
10	Torque Arm Bushing	37268	1	27	Fitting Grease 1/8-27 NPT	11814	1
11	Screw SOC HD 3/4 x 2-3/4	37267	1	28	Extended Fitting Grease 1/8-27 NPT	38517	2
12	Washer Compression 5/8	11752	1	29	Plug for 3.50 Square Tube	37301-2	2
13	Nut Hex 5/8-11NC ZP	11772	1	30*	Label Kit	34772	1
14	Cradle Weldment	38512-02	1	31*	Mounting Hardware Kit	35283	1
15	Cradle Wing Tube Weldment	Table I	2	32*	Tracker Remote Grease Kit	Table I	1
16	Washer Flat 1/2 Wide ZP	17328	8	33*	Manual Operator's	M3625	1
17	Screw HHC 1/2-13NC x 3-1/2 ZP	M921	4				

*Not Shown

Figure 2. Martin® Tracker™, P/N TKR-XXUSXX (Sheet 2 of 2)

Table I. Part Numbers and Quantities for Martin® Tracker™ Upper Unit

Assembly P/N	Belt Width in. (mm)	Item 15 P/N	Item 19 P/N	Item 24 P/N	Item 32 P/N	Item 20 Qty	Dim "A"	Weight lbs
TKR-24USXX	24-30 (600-800)	37458-02	35205-06	37413-502	38550-1	2	49.12 (1248)	86
TKR-30USXX	24-30 (600-800)	37458-02	35205-06	37413-502	38550-1	2	49.12 (1248)	86
TKR-36USXX	36 (950)	37466	35205-06	37413-503	38550-1	4	53.12 (1349)	89
TKR-42USXX	42-48 (1000-1250)	37466	35205-02	37413-504	38550-1	4	66.88 (1699)	98
TKR-48USXX	42-48 (1000-1250)	37466	35205-02	37413-504	38550-1	4	66.88 (1699)	98
TKR-54USXX	54 (1350)	37466	35205-02	37413-505	38550-2	4	71.12 (1806)	99

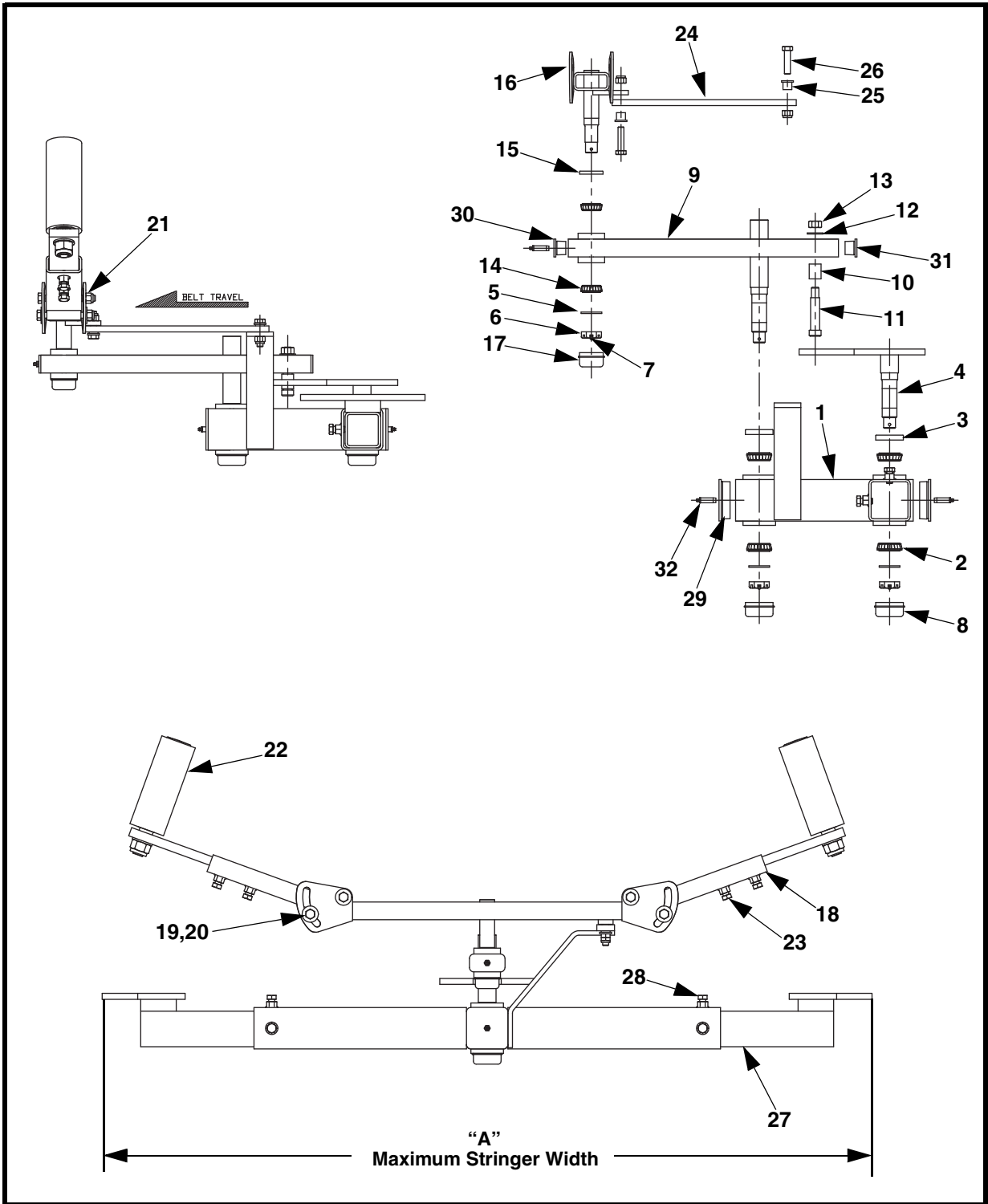


Figure 3. Martin® Tracker™ HD, P/N TKR-XXUHXX* (Sheet 1 of 2)

*First XX indicates belt width in inches; third X indicates Tracker type: U = upper Tracker, L = lower Tracker; fourth X indicates duty rating: S = standard-duty, H = heavy-duty; fifth X indicates roll options: R = with roll (lower Trackers only), Blank = without roll; last X indicates grease options: G = with grease kit, Blank = without grease kit.

Item	Description	Part No.	Qty	Item	Description	Part No.	Qty
1	T-Body Weldment	Table II	1	19	Washer Flat 1/2 Wide ZP	17328	8
2	Bearing Tapered Roller	38505-02	4	20	Screw HHC 1/2-13NC x 4-1/2 ZP	35170	4
3	Seal	38516-H	2	21	Nut Hex Elastic Lock 1/2-13NC ZP	18577	6
4	Pivot Plate Weldment	38522-H	1	22	Roller Assembly	35205-07	2
5	Washer	38513	3	23	Screw HHC 1/2-13NC x 1-1/4 ZP	13835	4
6	Nut	38514	3	24	Parallel Stay	37415-02	1
7	Pin Cotter 1/8 x 1-3/4 ZP	14210	3	25	Sleeve Bearing	38423	2
8	Dust Cap	38515-H	2	26	Screw HHC 1/2-13NC x 2 ZP	14196	2
9	Torque Arm Tube Weldment	38510-H	1	27	Support Arm Weldment	Table II	2
10	Torque Arm Bushing	37268	1	28	Screw HHC 1/2-13NC x 1 ZP	13842	4
11	Screw SOC HD 3/4 x 2-3/4	37267	1	29	Plug for 3.50 Square Tube	37301-2	2
12	Washer Compression 5/8	11752	1	30	Plug for 3 x 1-1/2 Tube	37303-2	1
13	Nut Hex 5/8-11NC ZP	11772	1	31	Plug for 3 x 1-1/2 Tube	37303	1
14	Bearing Tapered Roller	38505-01	2	32	Extended Fitting Grease 1/8-27 NPT	38517	3
15	Seal	38516-S	1	33*	Label Kit	34772	1
16	Cradle Weldment	Table II	1	34*	Mounting Hardware Kit	34498	1
17	Dust Cap	38515-S	1	35*	Tracker Remote Grease Kit	Table II	1
18	Cradle Wing Tube Weldment	Table II	2	36*	Manual Operator's	M3625	1

*Not Shown

Figure 3. Martin® Tracker™ HD, P/N TKR-XXUHXX (Sheet 2 of 2)

Table II. Part Numbers and Quantities for Martin® Tracker™ HD Upper Unit

Assembly P/N	Belt Width in. (mm)	Item 1 P/N	Item 16 P/N	Item 18 P/N	Item 22 P/N	Item 27 P/N	Item 35 P/N	Dim "A"	Weight lbs
TKR-36UHXX	36 (800-1000)	38504-05	38512-05	37283-03	35205-07	37413-H01	38550-1	65.88 (1673)	170
TKR-42UHXX	42 (1000-1200)	38504-03	38512-03	37283-03	35205-07	37413-H01	38550-1	74.88 (1902)	180
TKR-48UHXX	48 (1200-1300)	38504-03	38512-03	37283-01	35205-07	37413-H02	38550-1	86.88 (2207)	190
TKR-54UHXX	54 (1300-1400)	38504-03	38512-03	37283-01	35205-03	37413-H02	38550-2	86.88 (2207)	195
TKR-60UHXX	60-72 (1400-1750)	38504-04	38512-04	37283-01	35205-04	37413-H03	38550-2	104.75 (2661)	214
TKR-72UHXX	60-72 (1400-1750)	38504-04	38512-04	37283-01	35205-04	37413-H03	38550-2	104.75 (2661)	214

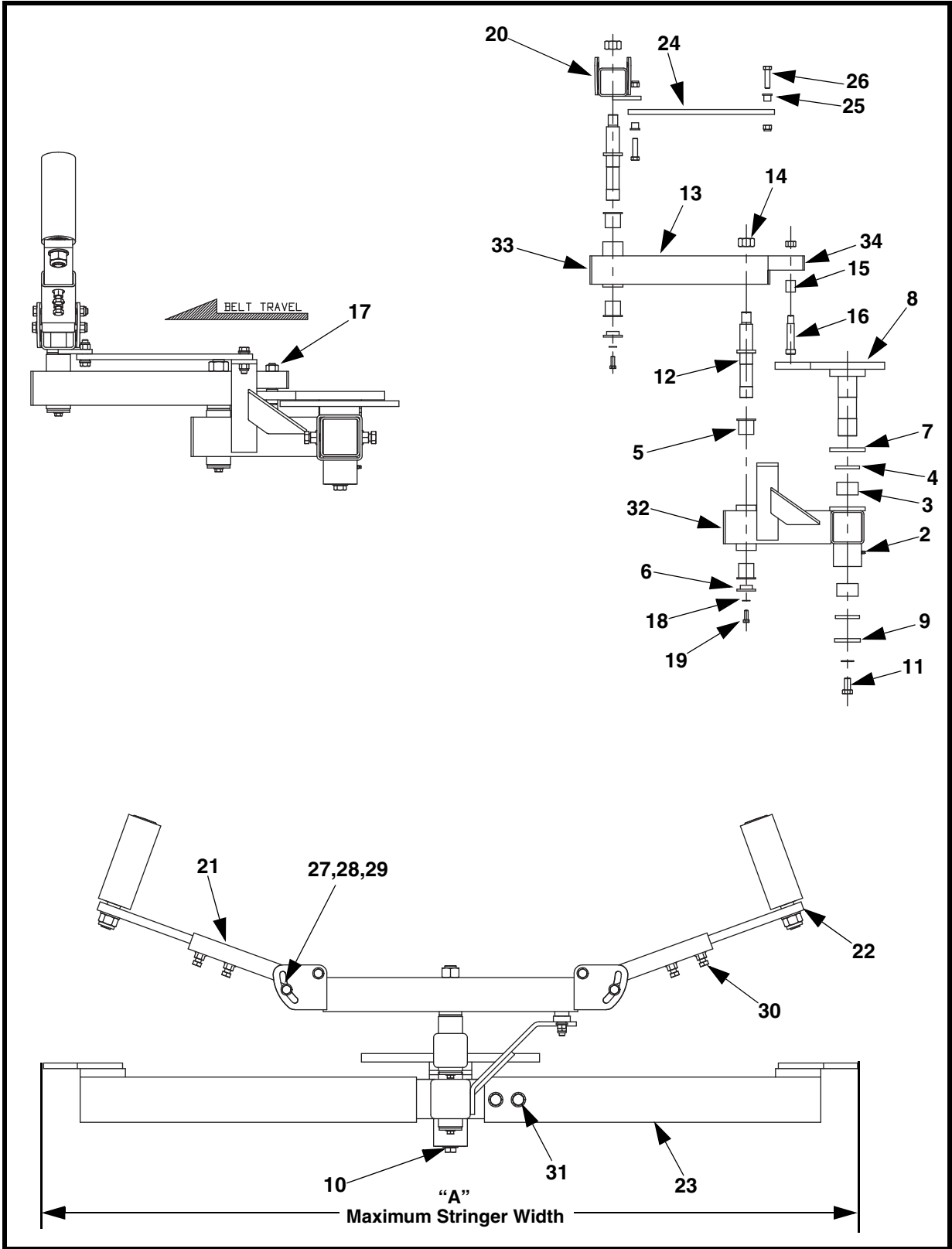


Figure 4. Martin® Tracker™ XHD, P/N 37249-XXUM* (Sheet 1 of 2)

*First XX indicates belt width in inches; third X indicates Tracker type: U = upper Tracker, L = lower Tracker; fourth X indicates duty rating: M = extra heavy-duty.

Item	Description	Part No.	Qty	Item	Description	Part No.	Qty
1	T-Body Weldment	37254	1	20	Cradle Weldment	Table III	1
2	Grease Fitting	38584	1	21	Cradle Wing Tube Weldment	Table III	2
3	Radial Bearing	37260	2	22	Roller Assembly	Table III	2
4	Oil Seal Rubber	37261	2	23	Support Arm Weldment	Table III	2
5	Bearing UHMW	37262	4	24	Parallel Stay	37415-02	1
6	Bearing Holder Cap	37272	2	25	Sleeve Bearing	38423	2
7	Axial Bearing	37273	1	26	Screw HHC 1/2-13NC x 2 ZP	14196	2
8	Pivot Plate Weldment	37353	1	27	Nut Hex Elastic Lock 1/2-13NC ZP	18577	6
9	Swing Unit Cap	37278	1	28	Washer Compression 1/2	11750	8
10	Washer Compression 5/8	11752	1	29	Screw HHC 1/2-13NC x 4-1/2 ZP	35170	4
11	Screw HHC 5/8-11NC x 1-1/4 ZP	15798	1	30	Screw HHC 1/2-13NC x 1-1/4 ZP	13835	4
12	Swing Shaft	37271	2	31	Screw HHC 5/8-11NC x 1 ZP	22633	4
13	Torque Arm Weldment	37263	1	32	Plug for 3.50 Square Tube	37301	1
14	Nut Hex 1-8 NC	22991	2	33	Plug for 3.00 Square Tube	37302	1
15	Torque Arm Bushing	37268	1	34	Plug for 3.00 x 1.50 Square Tube	37303	1
16	Screw SOC HD Shoulder 3/4 x 2-3/4	37267	1	35*	Label Kit	34772	1
17	Nut Hex 5/8-11NC ZP	11772	1	36*	Mounting Hardware Kit	34498	1
18	Washer Compression 3/8	11747	2	37*	Manual Operator's	M3625	1
19	Screw HHC 3/8-16 NC x 1 ZP	11746-02	2				

*Not Shown

Figure 4. Martin® Tracker™ XHD, P/N 37249-XXUM (Sheet 2 of 2)

Table III. Part Numbers and Quantities for Martin® Tracker™ XHD Upper Unit

Assembly P/N	Belt Width in. (mm)	Item 20 P/N	Item 21 P/N	Item 22 P/N	Item 23 P/N	Dim "A"	Weight lbs.
37249-48UM	48 (1200-1400)	37279-01	37283-01	35205-03	37350-04	84.75 (1810)	250
37249-54UM	54 (1400-1600)	37279-01	37283-01	35205-03	37350-01	90.75 (2305)	250
37249-60UM	60 (1600-1800)	37279-01	37283-01	35205-03	37350-01	90.75 (2305)	250
37249-66UM	66 (1600-1800)	37279-01	37283-01	35205-03	37350-01	90.75 (2305)	250
37249-72UM	72 (1800-2000)	37279-02	37283-02	35205-04	37350-02	102.75 (2610)	271
37249-84UM	84 (2000-2200)	37279-02	37283-02	35205-04	37350-02	102.75 (2610)	271
37249-96UM	96 (2200-2400)	37279-03	37283-04	35205-04	37350-03	114.75 (2915)	305

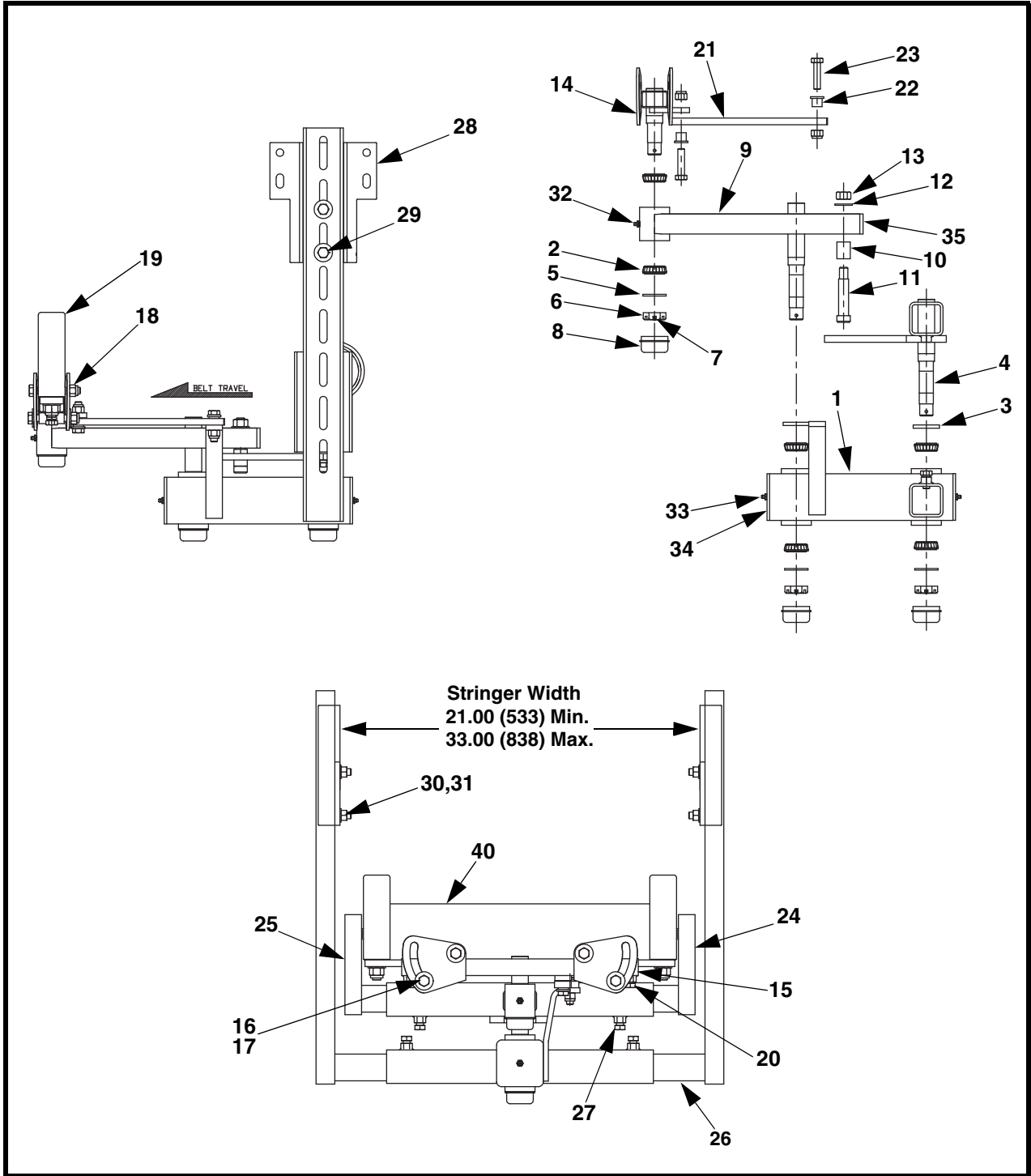


Figure 5. Martin® Tracker™, P/N TKR-18LSXX* (Sheet 1 of 2)

*18 indicates belt width in inches; third X indicates Tracker type: U = upper Tracker, L = lower Tracker; fourth X indicates duty rating: S = standard-duty, H = heavy-duty; fifth X indicates roll options: R = with roll (lower Trackers only), Blank = without roll; last X indicates grease options: G = with grease kit, Blank = without grease kit.

Item	Description	Part No.	Qty	Item	Description	Part No.	Qty
1	T-Body Weldment	38504-01	1	21	Parallel Stay	37415-01	1
2	Bearing Tapered Roller	38505-01	6	22	Sleeve Bearing	38423	2
3	Seal	38516-S	3	23	Screw HHC 1/2-13NC x 2 ZP	14196	2
4	Pivot Plate Weldment	38508-01	1	24	Telescoping Idler Tube Weldment	34745-03R	1
5	Washer	38513	3	25	Telescoping Idler Tube Weldment	34745-03L	1
6	Nut	38514	3	26	Telescoping Tube Weldment	34743-03	2
7	Pin Cotter 1/8 x 1-3/4 ZP	14210	3	27	Screw HHC 1/2-13NC x 1 ZP	13842	4
8	Dust Cap	38515-S	3	28	Hanger Plate Weldment	37396-01	2
9	Torque Arm Tube Weldment	38510-S	1	29	Screw HHC 1/2-13NC x 1-1/2 ZP	11763	4
10	Torque Arm Bushing	37268	1	30	Washer Compression 1/2	11750	4
11	Screw SOC HD 3/4 x 2-3/4	37267	1	31	Nut Hex 1/2-13NC ZP	11771	4
12	Washer Compression 5/8	11752	1	32	Fitting Grease 1/8-27 NPT	11814	1
13	Nut Hex 5/8-11NC ZP	11772	1	33	Extended Fitting Grease 1/8-27 NPT	38517	2
14	Cradle Weldment	38512-01	1	34	Plug for 3.50 Square Tube	37301-2	2
15	Cradle Wing Tube Weldment	37458-01	2	35	Plug for 2.50 x 1.50 Tube	34714	1
16	Washer Flat 1/2 Wide ZP	17328	12	36*	Label Kit	34772	1
17	Screw HHC 1/2-13NC x 3-1/2 ZP	M921	4	37*	Mounting Hardware Kit	34498	1
18	Nut Hex Elastic Lock 1/2-13NC ZP	18577	6	38*	Tracker Remote Grease Kit	38550-1	1
19	Guide Roll Arm Assembly	35205-05	2	39*	Manual Operator's	M3625	1
20	Screw HHC 1/2-13NC x 1-1/4 ZP	13835	2	40	Return Roll with Rubber Lagging	TRLRLC4-18	1

Part Numbers

*Not Shown

Figure 5. Martin® Tracker™, P/N TKR-18LSXX (Sheet 2 of 2)

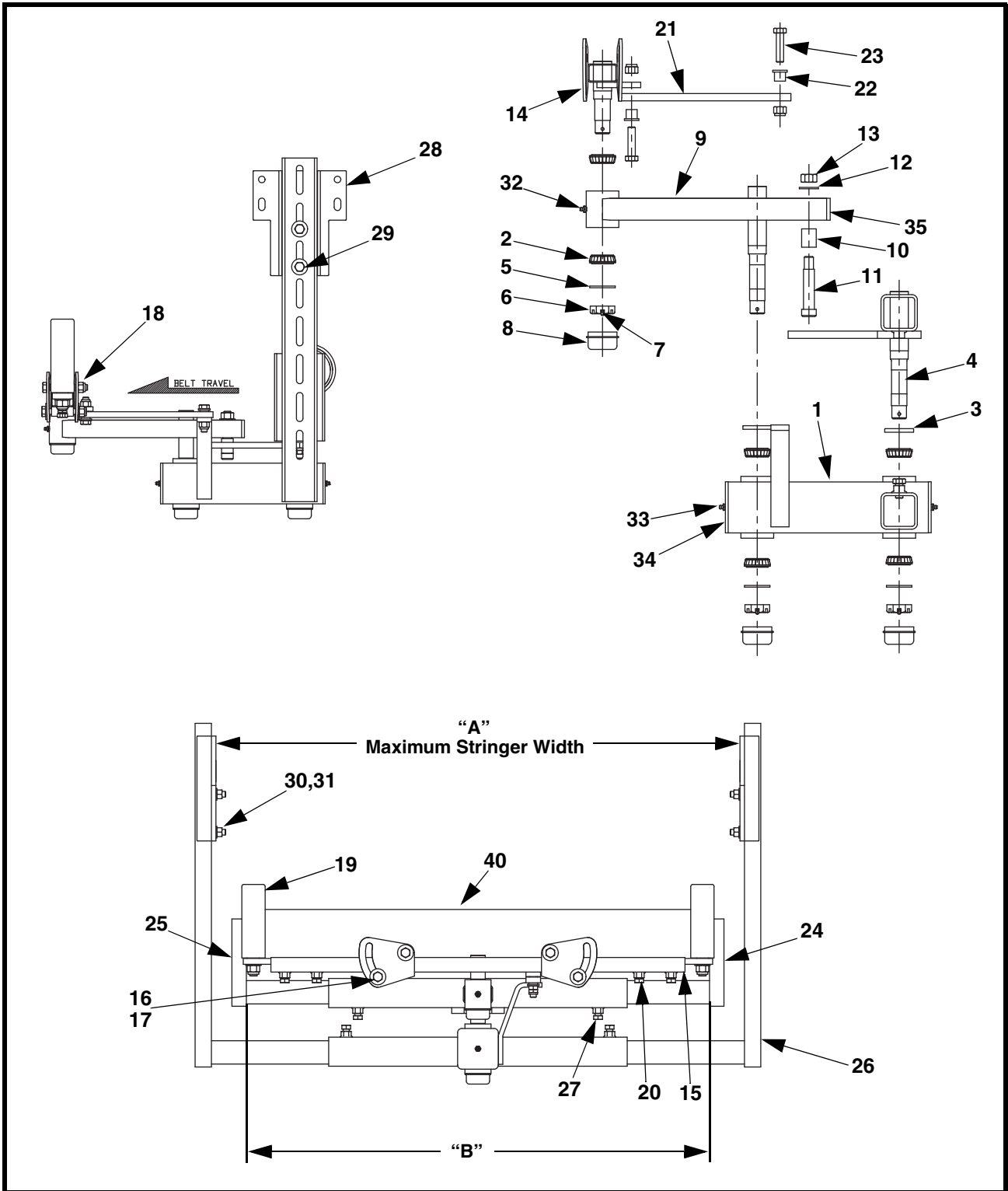


Figure 6. Martin® Tracker™, P/N TKR-XXLSXX* (Sheet 1 of 2)

*First XX indicates belt width in inches; third X indicates Tracker type: U = upper Tracker, L = lower Tracker; fourth X indicates duty rating: S = standard-duty, H = heavy-duty; fifth X indicates roll options: R = with roll (lower Trackers only), Blank = without roll; last X indicates grease options: G = with grease kit, Blank = without grease kit.

Item	Description	Part No.	Qty	Item	Description	Part No.	Qty
1	T-Body Weldment	38504-02	1	21	Parallel Stay	37415-01	1
2	Bearing Tapered Roller	38505-01	6	22	Sleeve Bearing	38423	2
3	Seal	38516-S	3	23	Screw HHC 1/2-13NC x 2 ZP	14196	2
4	Pivot Plate Weldment	38508-02	1	24	Telescoping Idler Tube Weldment	Table IV	1
5	Washer	38513	3	25	Telescoping Idler Tube Weldment	Table IV	1
6	Nut	38514	3	26	Telescoping Tube Weldment	Table IV	2
7	Pin Cotter 1/8 x 1-3/4 ZP	14210	3	27	Screw HHC 1/2-13NC x 1 ZP	13842	4
8	Dust Cap	38515-S	3	28	Hanger Plate Weldment	37396-01	2
9	Torque Arm Tube Weldment	38510-S	1	29	Screw HHC 1/2-13NC x 1-1/2 ZP	11763	4
10	Torque Arm Bushing	37268	1	30	Washer Compression 1/2	11750	4
11	Screw SOC HD 3/4 x 2-3/4	37267	1	31	Nut Hex 1/2-13NC ZP	11771	4
12	Washer Compression 5/8	11752	1	32	Fitting Grease 1/8-27 NPT	11814	1
13	Nut Hex 5/8-11NC ZP	11772	1	33	Extended Fitting Grease 1/8-27 NPT	38517	2
14	Cradle Weldment	38512-02	1	34	Plug for 3.50 Square Tube	37301-2	2
15	Cradle Wing Tube Weldment	Table IV	2	35	Plug for 2.50 x 1.50 Tube	34714	1
16	Washer Flat 1/2 Wide ZP	17328	12	36*	Label Kit	34772	1
17	Screw HHC 1/2-13NC x 3-1/2 ZP	M921	4	37*	Mounting Hardware Kit	34498	1
18	Nut Hex Elastic Lock 1/2-13NC ZP	18577	6	38*	Tracker Remote Grease Kit	Table IV	1
19	Guide Roll Arm Assembly	Table IV	2	39*	Manual Operator's	M3625	1
20	Screw HHC 1/2-13NC x 1-1/4 ZP	13835	Tbl IV	40	Return Roll with Rubber Lagging	Table IV	1

*Not Shown

Figure 6. Martin® Tracker™, P/N TKR-XXLSXX (Sheet 2 of 2)

Table IV. Part Numbers and Quantities for Martin® Tracker™ Lower Unit

Assembly P/N	Belt Width in. (mm)	Item 15 P/N	Item 19 P/N	Item 24 P/N	Item 25 P/N	Item 26 P/N	Item 38 P/N	Item 40 P/N
TKR-24LSXX	24 (600-700)	37458-02	35205-06	34745-03R	34745-03L	34743-01	38550-1	TRLRLC4-24
TKR-30LSXX	30 (700-800)	37458-02	35205-06	34745-01R	34745-01L	34743-01	38550-1	TRLRLC4-30
TKR-36LSXX	36 (800-950)	37466	35205-06	34745-01R	34745-01L	34743-01	38550-1	TRLRLC4-36
TKR-42LSXX	42-54 (1000-1400)	37466	35205-02	34745-02R	34745-02L	34743-02	38550-1	TRLRLC4-42
TKR-48LSXX	42-54 (1000-1400)	37466	35205-02	34745-02R	34745-02L	34743-02	38550-1	TRLRLC4-48
TKR-54LSXX	42-54 (1000-1400)	37466	35205-02	34745-02R	34745-02L	34743-02	38550-2	TRLRLC4-54

Assembly P/N	Item 20 Qty	Dim "A"	Dim "B" Minimum	Dim "B" Maximum	Weight lbs
TKR-24LSXX	2	51.12 (1298)	21.00 (533)	38.63 (981)	138
TKR-30LSXX	2	51.12 (1298)	29.50 (749)	47.13 (1197)	140
TKR-36LSXX	4	51.12 (1298)	29.50 (749)	47.13 (1197)	142
TKR-42LSXX	4	66.80 (1697)	42.50 (1080)	60.13 (1527)	155
TKR-48LSXX	4	66.80 (1697)	42.50 (1080)	60.13 (1527)	155
TKR-54LSXX	4	66.80 (1697)	42.50 (1080)	60.13 (1527)	155

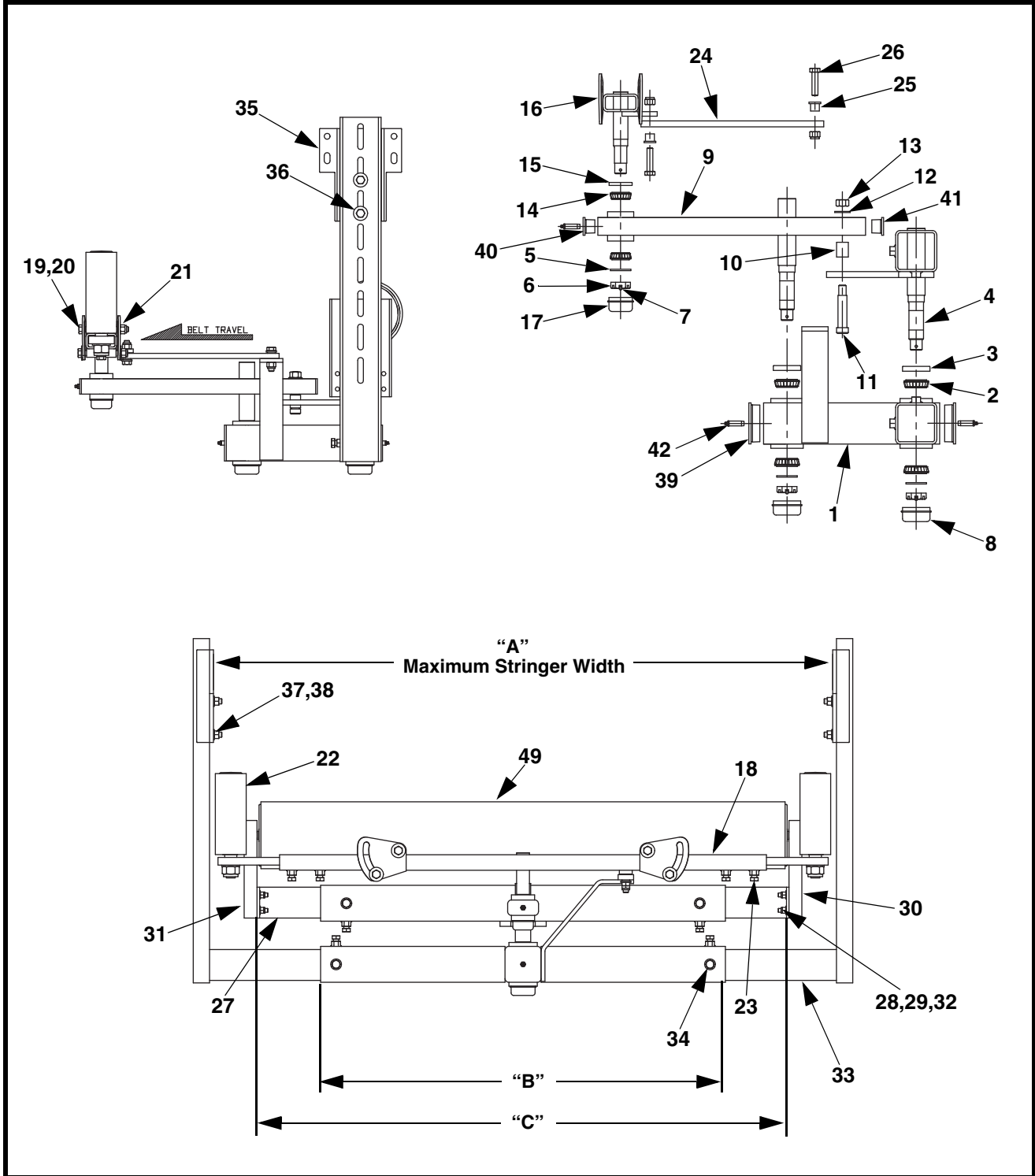


Figure 7. Martin® Tracker™ HD, P/N TKR-XXLHXX* (Sheet 1 of 2)

*First XX indicates belt width in inches; third X indicates Tracker type: U = upper Tracker, L = lower Tracker; fourth X indicates duty rating: S = standard-duty, H = heavy-duty; fifth X indicates roll options: R = with roll (lower Trackers only), Blank = without roll; last X indicates grease options: G = with grease kit, Blank = without grease kit.

Item	Description	Part No.	Qty	Item	Description	Part No.	Qty
1	T-Body Weldment	Table V	1	26	Screw HHC 1/2-13NC x 2 ZP	14196	2
2	Bearing Tapered Roller	38505-02	4	27	Telescoping Idler Tube Weldment	Table V	2
3	Seal	38516-H	2	28	Washer Compression 3/8	11747	8
4	Pivot Plate Weldment	Table V	1	29	Nut Hex Elastic Lock 3/8-16NC ZP	14201	8
5	Washer	38513	3	30	Telescoping Tube Upright	38029-00RP	1
6	Nut	38514	3	31	Telescoping Tube Upright	38029-00LP	1
7	Pin Cotter 1/8 x 1-3/4 ZP	14210	3	32	Screw HHC 3/8-16NC x 1-1/4 ZP	12215	8
8	Dust Cap	38515-H	2	33	Telescoping Tube Weldment	Table V	2
9	Torque Arm Tube Weldment	38510-H	1	34	Screw HHC 1/2-13NC x 1 ZP	13842	8
10	Torque Arm Bushing	37268	1	35	Hanger Plate Weldment	37396-02	2
11	Screw SOC HD 3/4 x 2-3/4	37267	1	36	Screw HHC 1/2-13NC x 1-1/2 ZP	11763	4
12	Washer Compression 5/8	11752	1	37	Washer Compression 1/2	11750	4
13	Nut Hex 5/8-11NC ZP	11772	1	38	Nut Hex 1/2-13NC ZP	11771	4
14	Bearing Tapered Roller	38505-01	2	39	Plug for 3.50 Square Tube	37301-2	2
15	Seal	38516-S	1	40	Plug for 3.00 x 1.50 Tube	37303-2	1
16	Cradle Weldment	Table V	1	41	Plug for 3.00 x 1.50 Tube	37303	1
17	Dust Cap	38515-S	1	42	Extended Fitting Grease 1/8-27 NPT	38517	3
18	Cradle Wing Tube Weldment	Table V	2	43*	Telescoping Tube Upright	38029-01LP	1
19	Washer Flat 1/2 Wide ZP	17328	12	44*	Telescoping Tube Upright	38029-01RP	1
20	Screw HHC 1/2-13NC x 4-1/2 ZP	35170	4	45*	Label Kit	34772	1
21	Nut Hex Elastic Lock 1/2-13NC ZP	18577	6	46*	Mounting Hardware Kit	34498	1
22	Roller Assembly	Table V	2	47*	Tracker Remote Grease Kit	Table V	1
23	Screw HHC 1/2-13NC x 1-1/4 ZP	13835	4	48*	Manual Operator's	M3625	1
24	Parallel Stay	37415-02	1	49	Return Roll with Rubber Lagging	Table V	1
25	Sleeve Bearing	38423	2				

*Not Shown

Figure 7. Martin® Tracker™ HD, P/N TKR-XXLHXX (Sheet 2 of 2)

Table V. Part Numbers and Quantities for Martin® Tracker™ HD Lower Unit

Assembly P/N	Belt Width in. (mm)	Item 1 P/N	Item 4 P/N	Item 16 P/N	Item 18 P/N	Item 22 P/N	Item 27 P/N	Item 33 P/N
TKR-36LHXX	36 (800-1000)	38504-05	38508-05	38512-05	37283-03	35205-07	38031-H1	34743-06
TKR-42LHXX	42 (1000-1200)	38504-03	38508-03	38512-03	37283-03	35205-07	38031-H1	34743-04N
TKR-48LHXX	48 (1200-1400)	38504-03	38508-03	38512-03	37283-01	35205-07	38031-H1	34743-04N
TKR-54LHXX	54 (1400-1600)	38504-03	38508-03	38512-03	37283-01	35205-03	38031-H1	34743-04N
TKR-60LHXX	60-72 (1600-2000)	38504-04	38508-04	38512-04	37283-01	35205-04	38031-H2	34743-04
TKR-72LHXX	60-72 (1600-2000)	38504-04	38508-04	38512-04	37283-01	35205-04	38031-H2	34743-04

Table V. Part Numbers and Quantities for Martin® Tracker™ HD Lower Unit

Assembly P/N	Item 47 P/N	Item 49 P/N	Dim "A"	Dim "B"	Dim "C" Minimum	Dim "C" Maximum	Weight lbs
TKR-36LHXX	38550-1	TRLRLC6-36	60.38 (1534)	30.38 (772)	33.26 (845)	53.64 (1362)	253
TKR-42LHXX	38550-1	TRLRLC6-42	77.38 (1965)	39.38 (1000)	42.00 (1067)	65.38 (1661)	275
TKR-48LHXX	38550-1	TRLRLC6-48	77.38 (1965)	39.38 (1000)	42.00 (1067)	73.38 (1864)	278
TKR-54LHXX	38550-2	TRLRLC6-54	77.38 (1965)	39.38 (1000)	42.00 (1067)	81.38 (2067)	282
TKR-60LHXX	38550-2	TRLRLC6-60	104.25 (2648)	47.25 (1200)	56.00 (1422)	95.25 (2419)	321
TKR-72LHXX	38550-2	TRLRLC6-72	104.25 (2648)	47.25 (1200)	56.00 (1422)	95.25 (2419)	321

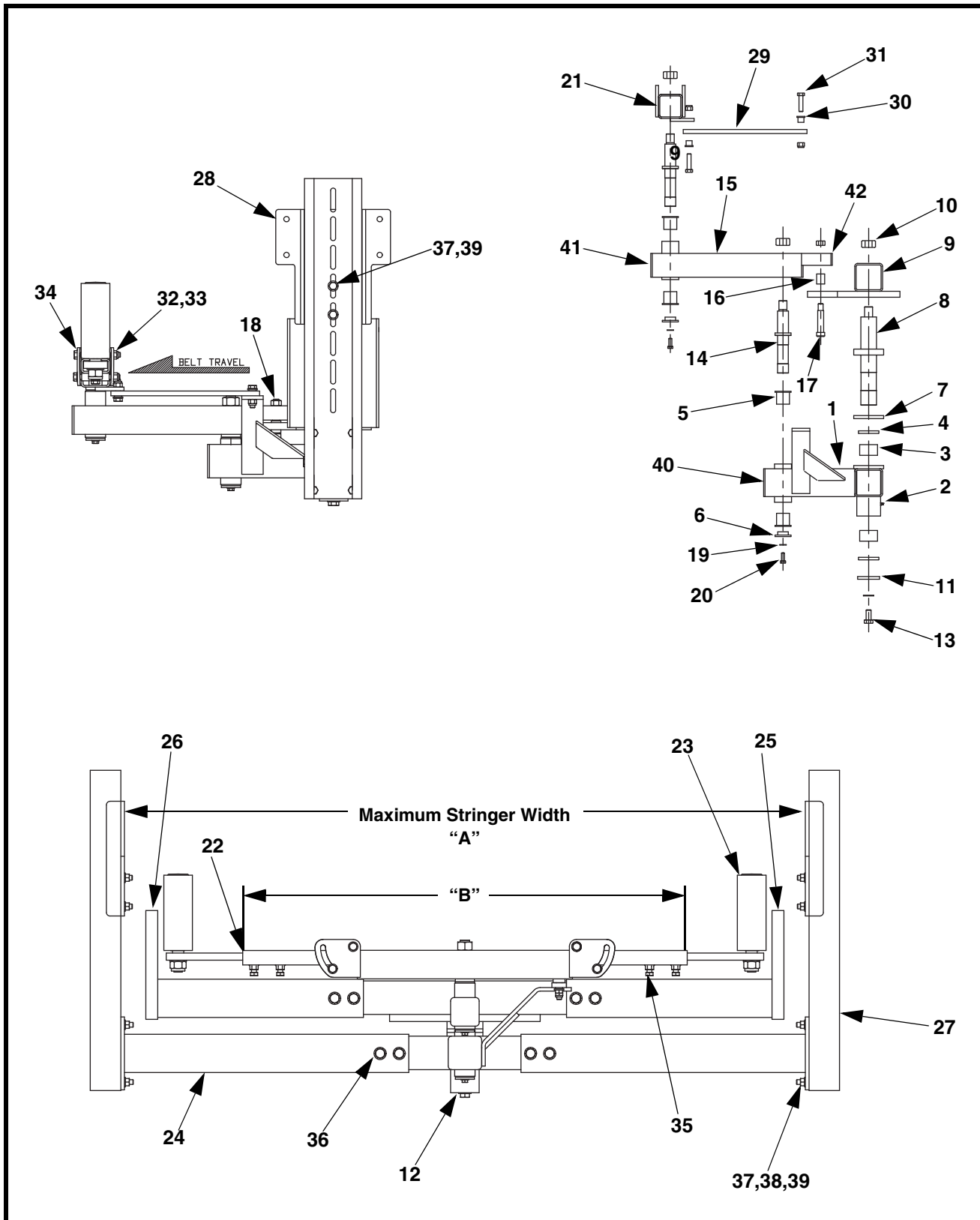


Figure 8. Martin® Tracker™ XHD, P/N 37249-XXLM* (Sheet 1 of 2)

*First XX indicates belt width in inches; third X indicates Tracker type: U = upper Tracker, L = lower Tracker; fourth X indicates duty rating: M = extra heavy-duty

Item	Description	Part No.	Qty	Item	Description	Part No.	Qty
1	T-Body Weldment	37254	1	24	Support Arm Weldment	Table VI	2
2	Fitting Grease 1/8-27 NPT	38584	1	25	Telescopic Idler Arm Weldment	Table VI	1
3	Radial Bearing	37260	2	26	Telescopic Idler Arm Weldment	Table VI	1
4	Oil Seal Rubber	37261	2	27	Vertical Support Arm	37292	2
5	Bearing UHMW	37262	4	28	Suspension Bracket	37293	2
6	Bearing Holder Cap	37272	2	29	Parallel Stay	37415-02	1
7	Axial Bearing	37273	1	30	Sleeve Bearing	38423	2
8	Swing Unit Shaft	37277	1	31	Screw HHC 1/2-13NCx 2 ZP	14196	2
9	Swing Unit Weldment	37274	1	32	Nut Hex Elastic Lock 1/2-13NC ZP	18577	6
10	Nut Hex 1-8NC	22991	3	33	Washer Compression 1/2	11750	20
11	Swing Unit Cap	37278	1	34	Screw HHC 1/2-13NC x 4-1/2 ZP	35170	4
12	Washer Compression 5/8	11752	1	35	Screw HHC 1/2-13NC x 1-1/4 ZP	13835	4
13	Screw HHC 5/8-11NC x 1-1/4 ZP	15798	1	36	Screw HHC 5/8-11NC x 1 ZP	22633	8
14	Swing Shaft	37271	2	37	Screw HHC 1/2-13NC x 1-1/2 ZP	11763	12
15	Torque Arm Weldment	37263	1	38	Nut Hex 1/2-13NC	11771	12
16	Torque Arm Bushing	37268	1	39	Washer Flat 1/2 Narrow ZP	31010	4
17	Screw SOC HD Shoulder 3/4 x 2-3/4	37267	1	40	Plug for 3.50 Square Tube	37301	1
18	Nut Hex 5/8-11NC ZP	11772	1	41	Plug for 3.00 Square Tube	37302	1
19	Washer Compression 3/8	11747	2	42	Plug for 3.00 x 1.50 Tube	37303	1
20	Screw HHC 3/8-16NC x 1 ZP	11746-02	2	43	*Label Kit	34772	1
21	Cradle Weldment	Table VI	1	44	*Mounting Hardware Kit	34498	1
22	Cradle Wing Tube Weldment	Table VI	2	45	*Manual Operator's	M3625	1
23	Guide Roll Assembly	35205-03	2				

*Not Shown

Figure 8. Martin® Tracker™ XHD (Lower Unit), P/N 37249-XXLM (Sheet 2 of 2)

Table VI. Part Numbers and Quantities for Martin® Tracker™ XHD Lower Unit

Assembly P/N	Belt Width in. (mm)	Item 21 P/N	Item 22 P/N	Item 24 P/N	Item 25 P/N	Item 26 P/N	Dim "A"	Dim "B"	Weight lbs.
37249-48LM	48 (1200-1400)	37279-01	37283-01	37288-04	37299-L4	37299-R4	84.75 (2152)	46.50 (1181)	420
37249-54LM	54 (1400-1600)	37279-01	37283-01	37288-01	37299-L1	37299-R1	90.75 (2305)	46.50 (1181)	423
37249-60LM	60 (1600-1800)	37279-01	37283-01	37288-01	37299-L1	37299-R1	90.75 (2305)	46.50 (1181)	423
37249-66LM	66 (1600-1800)	37279-01	37283-01	37288-01	37299-L1	37299-R1	90.75 (2305)	46.50 (1181)	423
37249-72LM	72 (1800-2000)	37279-02	37283-02	37288-02	37299-L2	37299-R2	102.75 (2610)	70.88 (1800)	462
37249-84LM	84 (2000-2200)	37279-02	37283-02	37288-02	37299-L2	37299-R2	102.75 (2610)	70.88 (1800)	462
37249-96LM	96 (2200-2400)	37279-03	37283-04	37288-03	37299-L3	37299-R3	114.75 (2914)	94.88 (2410)	486
37249-108LM	108 (2400-2700)	37279-03	37283-04	37288-03	37299-L3	37299-R3	126.75 (3219)	94.88 (2410)	486

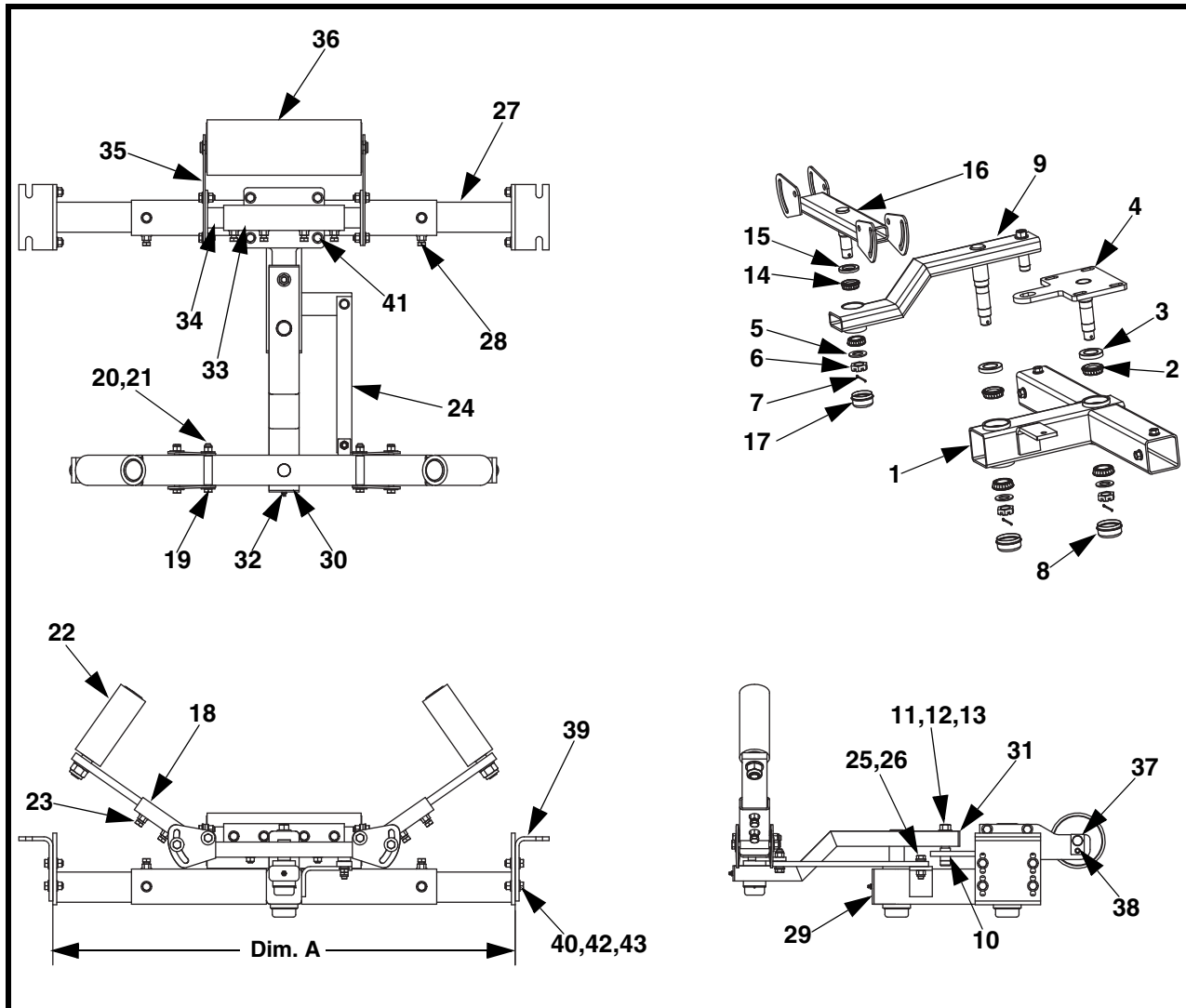


Figure 9. Martin® Tracker™ Low-Profile, P/N 38700-XXX* (Sheet 1 of 2)

*First XX indicates belt width in inches; last X indicates grease options: G = with grease kit, Blank = without grease kit.

Item	Description	Part No.	Qty	Item	Description	Part No.	Qty
1	T-Body Weldment	Table VII	1	25	Sleeve Bearing	38423	2
2	Bearing Tapered Roller	38505-02	4	26	Screw HHC 1/2-13NC x 2 ZP	14196	2
3	Seal	38516-H	2	27	Support Arm Weldment	Table VII	2
4	Pivot Plate Weldment	38522-HLP	1	28	Screw HHC 1/2-13NC x 1 ZP	13842	8
5	Washer	38513	3	29	Plug for 3.50 x 3.50 Tube	37301-2	2
6	Nut	38514	3	30	Plug for 3.00 x 1.50 Tube	37303-2	1
7	Pin Cotter 1/8 x 1-3/4 ZP	14210	3	31	Plug for 3.00 x 1.50 Tube	37303	1
8	Dust Cap	38515-H	2	32	Extended Fitting Grease 1/8-27 NPT	38517	3
9	Torque Arm Weldment	38709	1	33	Support Roll Weldment	38705	1
10	Torque Arm Bushing	37268	1	34	Roll Support Tube Weldment	Table VII	2
11	Screw SOC HD 3/4 x 2-3/4	37267	1	35	Roll Mounting Plate	38702	2
12	Washer Compression 5/8	11752	1	36	Roll	Table VII	1
13	Nut Hex 5/8-11NC ZP	11772	1	37	Tie Tab	TMI-TT-100P	2
14	Bearing Tapered Roller	38505-01	2	38	Screw HWH Tapping 1/4-20 x 3/8	38608	2
15	Seal	38516-S	1	39	Adjustable Stringer Mounting Plate	38706	2
16	Cradle Weldment	Table VII	1	40	Washer Flat 1/2 Narrow ZP	31010	20
17	Dust Cap	38515-S	1	41	Screw HHC 1/2-13NC x 1-1/2 ZP	11763	12
18	Cradle Wing Tube Weldment	Table VII	2	42	Washer Compression 1/2	11750	20
19	Washer Flat 1/2 Wide ZP	17328	8	43	Nut Hex 1/2-13NC ZP	11771	20
20	Screw HHC 1/2-13NC x 4-1/2 ZP	35170	4	44*	Label Kit	34772	1
21	Nut Hex Elastic Lock 1/2-13NC ZP	18577	6	45*	Mounting Hardware Kit	34498	1
22	Roller Assembly	Table VII	2	46*	Tracker Remote Grease Kit	Table VII	1
23	Screw HHC 1/2-13NC x 1-1/4 ZP	13835	12	47*	Manual Operator's	M3625	1
24	Parallel Stay	37415-02	1				

*Not Shown

Figure 9. Martin® Tracker™ Low-Profile, P/N 38700-XXX (Sheet 2 of 2)

Table VII. Part Numbers and Quantities for Martin® Tracker™ Low-Profile Unit

Assembly P/N	Belt Width in. (mm)	Item 1 P/N	Item 16 P/N	Item 18 P/N	Item 22 P/N	Item 27 P/N
38700-36X	36 (800-1000)	38504-05LP	38512-05LP	37283-03	35205-07	38708-01
38700-42X	42 (1000-1200)	38504-03LP	38512-03LP	37283-03	35205-07	38708-01
38700-48X	48 (1200-1400)	38504-03LP	38512-03LP	37283-01	35205-07	38708-02
38700-54X	54 (1400-1600)	38504-03LP	38512-03LP	37283-01	35205-03	38708-02
38700-60X	60 (1600-1800)	38504-04LP	38512-04LP	37283-01	35205-03	38708-03

Table VII. Part Numbers and Quantities for Martin® Tracker™ Low-Profile Unit

Assembly P/N	Item 34 P/N	Item 36 P/N	Item 46 P/N	Dim "A"	Weight lbs
38700-36X	38246-05	38701-36DSL	38550-1	60.13 (1527)	260
38700-42X	38246-05	38701-42DSL	38550-1	69.13 (1756)	281
38700-48X	38246-06	38701-48DSL	38550-1	81.13 (2061)	302
38700-54X	38246-01	38701-54DSL	38550-2	81.13 (2061)	317
38700-60X	38246-01	38701-60DSL	38550-2	99.00 (2515)	341

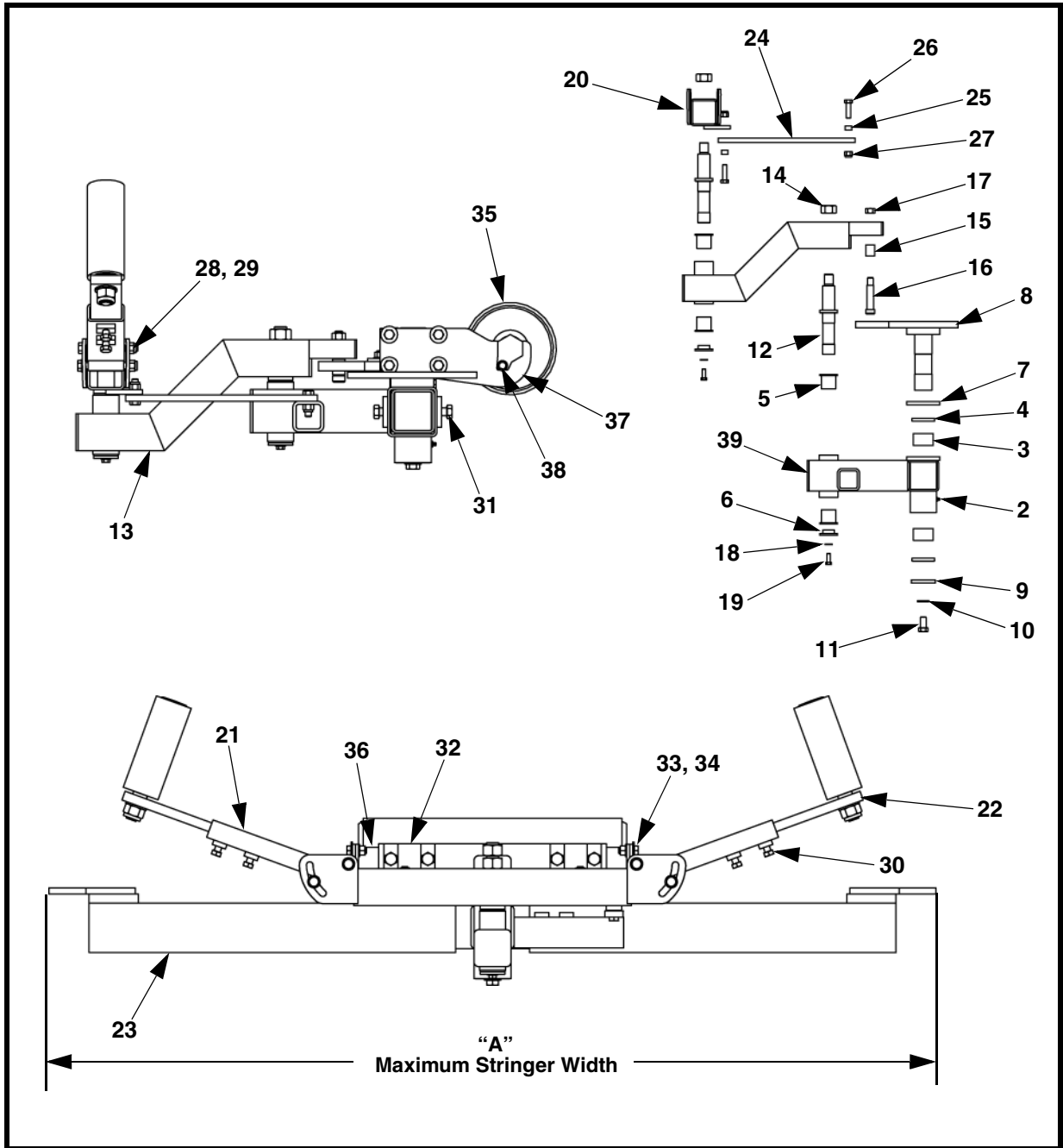


Figure 10. Martin® Tracker™ XHD Low Profile (Upper Unit),
P/N 37249-XXUMLP (Sheet 1 of 2)

Item	Description	Part No.	Qty
1	T-Body Weldment	37254-LP	1
2	Fitting Grease 1/8-27 NPT	11814	1
3	Radial Bearing	37260	2
4	Oil Seal Rubber	37261	2
5	Bearing UHMW	37262	4
6	Bearing Holder Cap	37272	2
7	Axial Bearing	37273	1
8	Pivot Plate Weldment	37353	1
9	Swing Unit Cap	37278	1
10	Washer Compression 5/8	11752	1
11	Screw HHC 5/8-11NC x 1-1/4 ZP	15798	1
12	Swing Shaft	37271	2
13	Torque Arm Weldment	37263-LP	1
14	Nut Hex 1-8NC	22991	2
15	Torque Arm Bushing	37268	1
16	Screw SOC HD Shoulder 3/4 x 2-3/4	37267	1
17	Nut Hex 5/8-11NC ZP	11772	1
18	Washer Compression 3/8	11747	2
19	Screw HHC 3/8-16NC x 1 ZP	11746-02	2
20	Cradle Weldment	Table VIII	1
21	Cradle Wing Tube Weldment	Table VIII	2
22	Guide Roll Assembly	Table VIII	2

Item	Description	Part No.	Qty
23	Support Arm Weldment	Table VIII	2
24	Parallel Stay	37415-02	1
25	Sleeve Bearing	37287	2
26	Screw HHC 1/2-13NCx 1-3/4 ZP	23478	2
27	Nut Hex Elastic Lock 1/2-13NC ZP	18577	6
28	Washer Compression 1/2	11750	8
29	Screw HHC 1/2-13NC x 4-1/2 ZP	35170	4
30	Screw HHC 1/2-13NC x 1-1/4 ZP	13835	4
31	Screw HHC 5/8-11NC x 1 ZP	22633	4
32	Support Roll Weldment	38248	1
33	Washer Flat 1/2 Wide ZP	17328	12
34	Nut Hex 1/2-13NC ZP	11771	12
35	Lagged Roller Assembly	Table VIII	1
36	Roll Support Arm Weldment	Table VIII	2
37	Roll Mounting Plate	38247	2
38	Screw HHC 3/8-16NC x 5/8 ZP	12379	2
39	Plug for 3.50 Square Tube	37301	1
40	Plug for 3.00 Square Tube	37302	1
41	Plug for 3.00 x 1.50 Tube	37303	1
42	*Label Kit	34772	1
43	*Mounting Hardware Kit	34498	1
44	*Manual Operator's	M3625	1

*Not Shown

**Figure 10. Martin® Tracker™ XHD Low Profile (Upper Unit),
P/N 37249-XXUMLP (Sheet 2 of 2)**

**Table VIII. Part Numbers and Quantities for Martin® Tracker™ XHD
Low Profile Upper Unit**

Assembly P/N	Belt Width in. (mm)	Item 20 P/N	Item 21 P/N	Item 22 P/N	Item 23 P/N	Item 35 P/N	Item 36 P/N	Dim "A"	Weight lbs
37249-48UMLP	48 (1200-1400)	37279-01	37283-01	35205-03	37350-04	32249-LE7-48	38246-04	84.75 (2153)	300
37249-54UMLP	54 (1400-1600)	37279-01	37283-01	35205-03	37350-01	32249-LE7-54	38246-01	90.75 (2305)	305
37249-60UMLP	60 (1600-1800)	37279-01	37283-01	35205-03	37350-01	32249-LE7-60	38246-01	90.75 (2305)	310
37249-66UMLP	66 (1600-1800)	37279-01	37283-01	35205-03	37350-01	32249-LE7-66	38246-01	90.75 (2305)	315
37249-72UMLP	72 (1800-2000)	37279-02	37283-02	35205-04	37350-02	32249-LE7-72	38246-02	102.75 (2610)	340
37249-84UMLP	84 (2000-2200)	37279-02	37283-02	35205-04	37350-02	32249-LE7-84	38246-03	102.75 (2610)	350

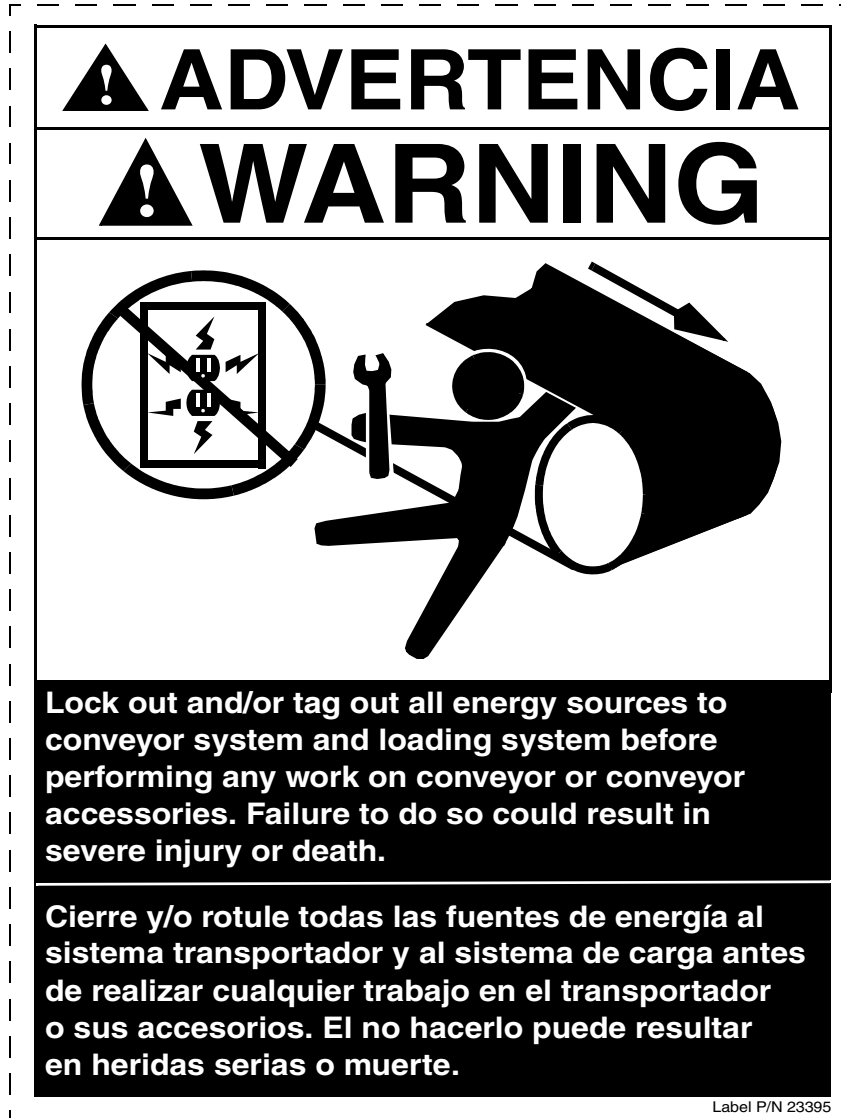


Figure 11. Conveyor Products Warning Label, P/N 23395



Figure 12. Pinch Point Warning Label, P/N 30528